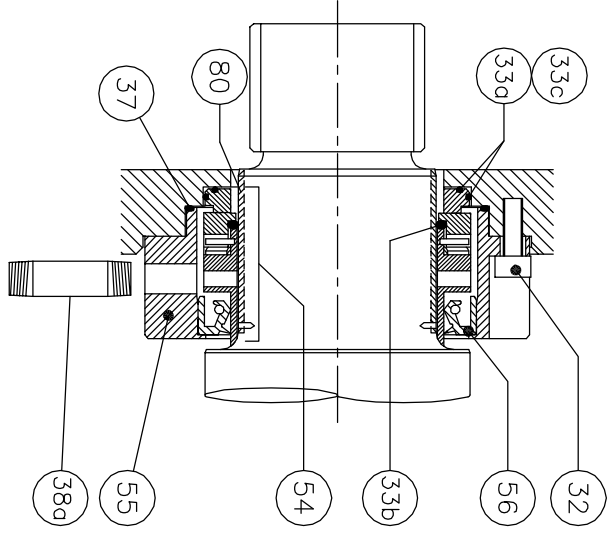
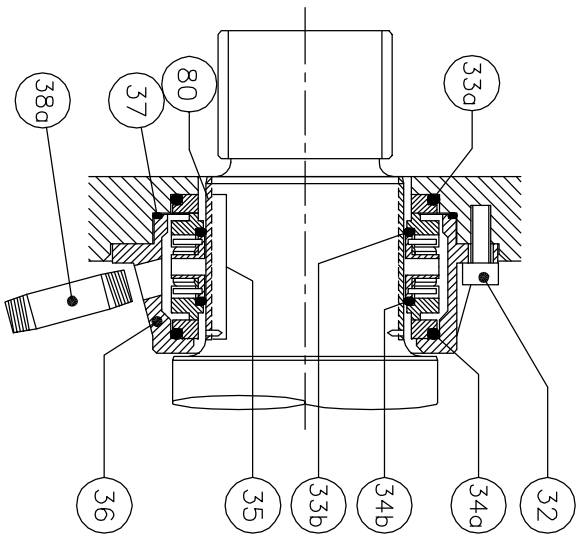


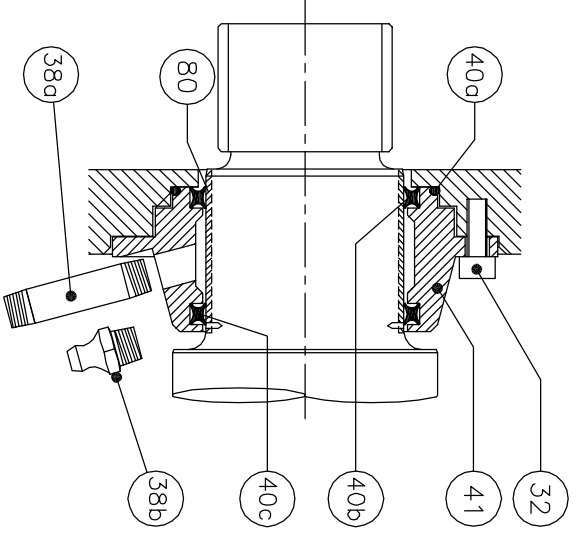
SINGLE MECHANICAL SEAL



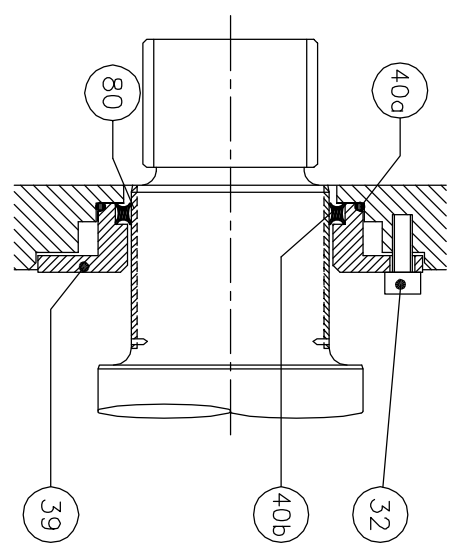
FLUSHED SINGLE MECHANICAL SEAL



DOUBLE MECHANICAL SEAL



DOUBLE O-RING SEAL



SINGLE O-RING SEAL

NO.	PCS. PER SEAL	DESCRIPTION	
80	N/A	OPTIONAL SHAFT SLEEVE	
57	1	DOUBLE O-RING SEAL O-RING SET (40a,40b,40c)	
56	1	LIP SEAL	
55	1	FLUSH HOUSING	
54	1	FLUSHED SINGLE MECHANICAL SHAFT SEAL	
41	1	FLUSH HOUSING	
40	1	SINGLE O-RING SEAL O-RING SET (40a,40b)	
39	1	RETAINING RING	
38b	2	FLUSH HOUSING NIPPLE	
38a	2	FLUSH HOUSING PIPE TUBE	
37	1	FLUSH HOUSING O-RING	
36	1	FLUSH HOUSING	
35	1	DOUBLE MECHANICAL SHAFT SEAL	
34	1	DOUBLE MECH. SEAL O-RING SET (33a,33b,33c,34a,34b)	
33	1	SINGLE MECH. SEAL O-RING SET (33a,33b,33c)	
32	4	BOLT	
31	1	RETAINER RING	
30	1	SINGLE MECHANICAL SHAFT SEAL	
UNIBLOC 300,350	UNIBLOC 400,450	UNIBLOC 500,550, 575	

UNIBLOC®-PD
 FLOWTECH DIV. ATLANTA, GA USA

DWG. TITLE: UNIBLOC-PD PUMP SHAFT SEAL PARTS LIST

SIZE: 300-575 DWG. NO.: G804

RELEASE DATE: MAR. 20, 2010 SHEET 1 OF 1