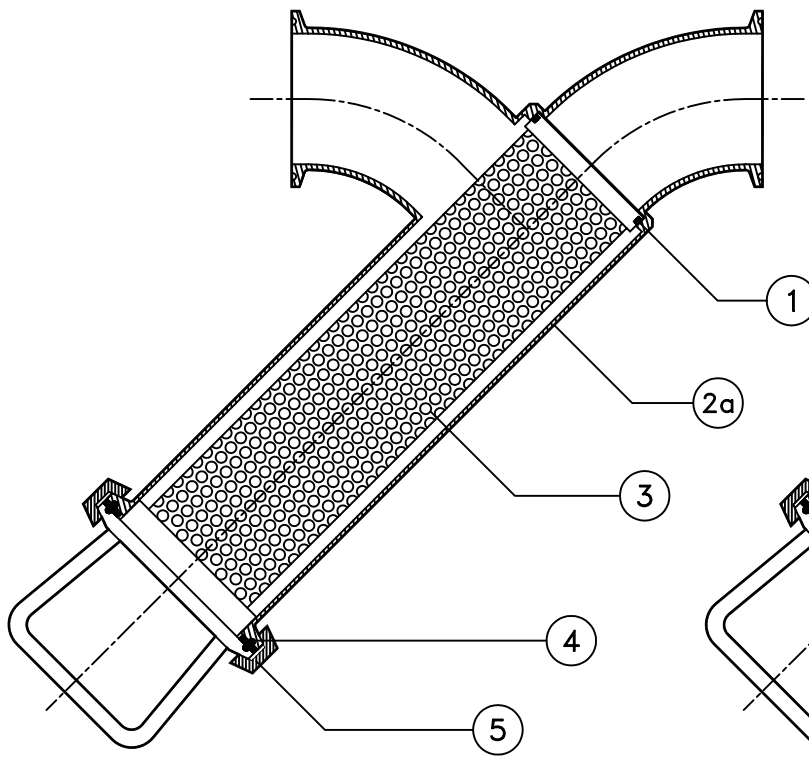
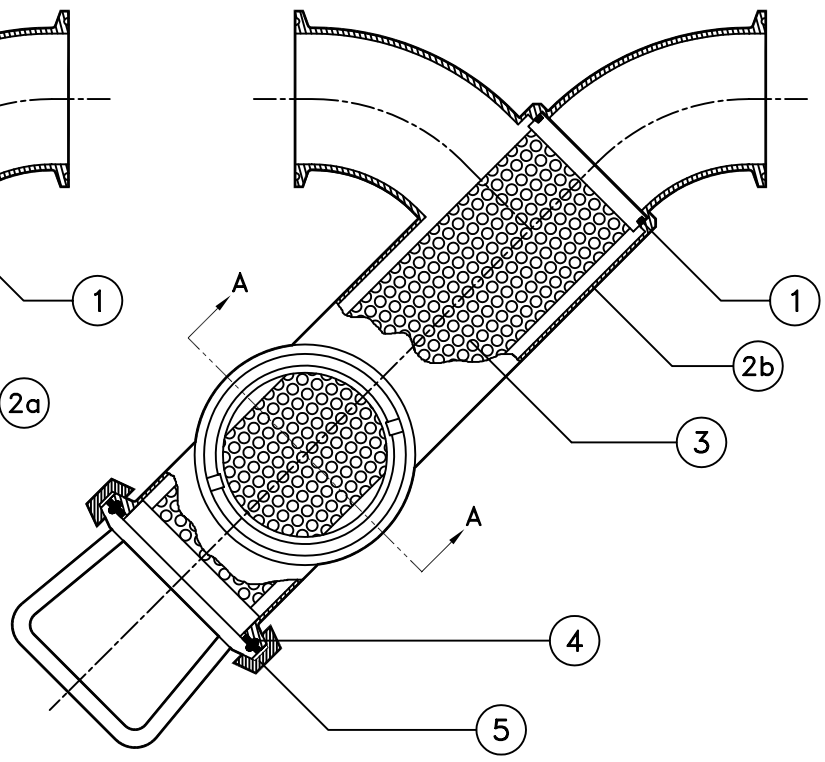


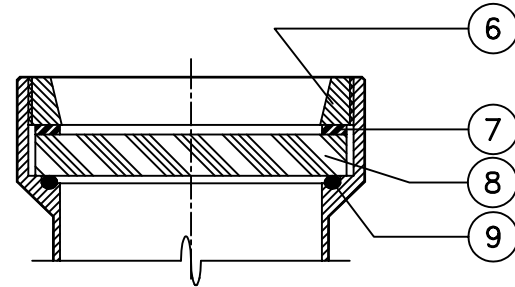
REVISIONS			
SYMBOL	DESCRIPTION	DATE	BY



#54 Y-STRAINER



#55 Y-STRAINER



SECTION A-A (NOT TO SCALE)

CONN. SIZE	ITEM	O-RING	BODY	BODY	SCREEN INSERT	CLAMP GASKET	CLAMP	RETAINER RING	PTFE WASHER	GLASS	O-RING
		1	2a	2b	3	4	5	6	7	8	9
3/4"	P.N.	4281	540000	N.A.	540014	6302	540085	N.A.	N.A.	N.A.	N.A.
	PCS.	1	1	-	1	1	1	-	-	-	-
1"	P.N.	4281	540001	N.A.	540014	6302	540085	N.A.	N.A.	N.A.	N.A.
	PCS.	1	1	-	1	1	1	-	-	-	-
1.5"	P.N.	4282	540002	550002	540015	6303	540086	520011	520018	520025	4283
	PCS.	1	1	1	1	1	1	2	2	2	2
2"	P.N.	4283	540003	550003	540016	6304	540087	520012	520019	520026	4274
	PCS.	1	1	1	1	1	1	2	2	2	2
2.5"	P.N.	4284	540004	550004	540017	6305	540088	520012	520019	520026	4274
	PCS.	1	1	1	1	1	1	2	2	2	2
3"	P.N.	4285	540005	550005	540018	6306	540089	520013	520020	520027	4200
	PCS.	1	1	1	1	1	1	2	2	2	2
4" (1.0 FT <sup>2</sup> )	P.N.	4286	540006	550006	540019	4156(o-ring)	540090	520014	520021	520028	4275
	PCS.	1	1	1	1	1	1	2	2	2	2
4" (2.25 FT <sup>2</sup> )	P.N.	4286	540007	550007	540020	4156(o-ring)	540090	520014	520021	520028	4275
	PCS.	1	1	1	1	1	1	2	2	2	2

- SEAL MATERIALS ARE SPECIFIED AS FOLLOWS:  
 #-E (EPDM)      #-V (VITON)  
 #-S (SILICONE)      #-T (TEFLON ENCAPSULATED VITON)
- INSERT SCREEN SIZES ARE SPECIFIED AS FOLLOWS:  
 #-100M (100 mesh)      #-50M (50 mesh) and so on...

THIS DRAWING AND ALL IDEAS INCORPORATED IN ITS DESIGN IS THE EXCLUSIVE PROPERTY OF FLOWTECH, INC. ITS ACCEPTANCE CONSTITUTES AN AGREEMENT THAT IT SHALL BE TREATED AS A CONFIDENTIAL DOCUMENT USED FOR NO OTHER PURPOSE THAN TO AID IN ITS CONSTRUCTION, THAT IT IS TO BE RETURNED UPON REQUEST, AND THAT IT IS NOT TO BE DISCLOSED OR COPIED EXCEPT AS AUTHORIZED IN WRITING BY FLOWTECH, INC.



MATERIAL	BY	DATE	DWG. TITLE
FINISH (UNLESS NOTED ON DWG.)	DRAWN	JPZ	
WEIGHT	CHECKED		SIZE
	APP'D		DWG. NO.
	SCALE	NO SCALE	540998
	ALL DIMENSIONS IN MM		RELEASE DATE NOV. 5, 1997
			SHEET 1 OF 1