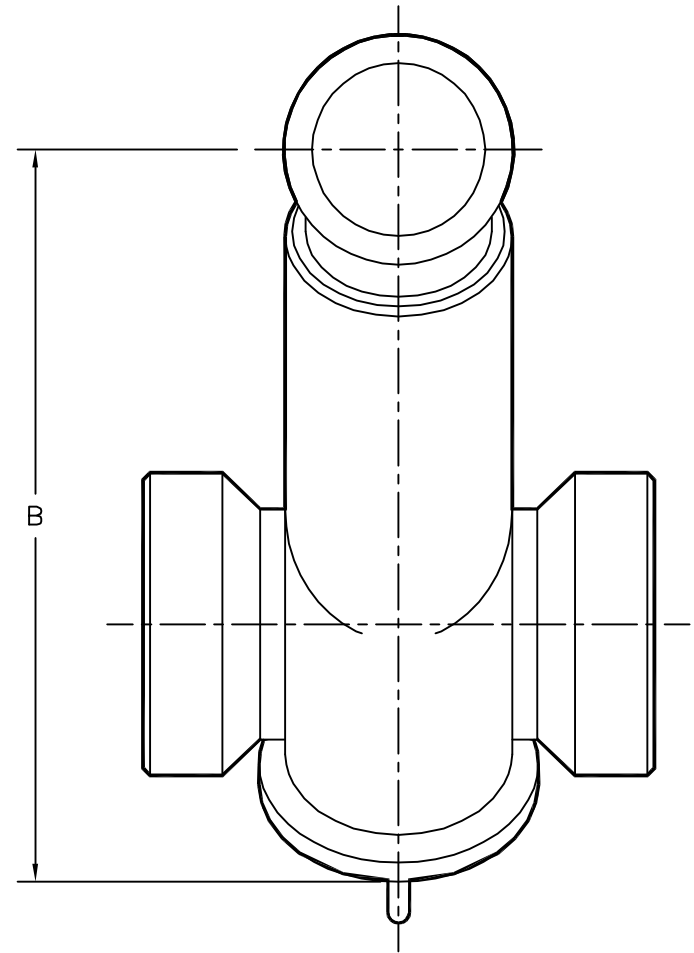
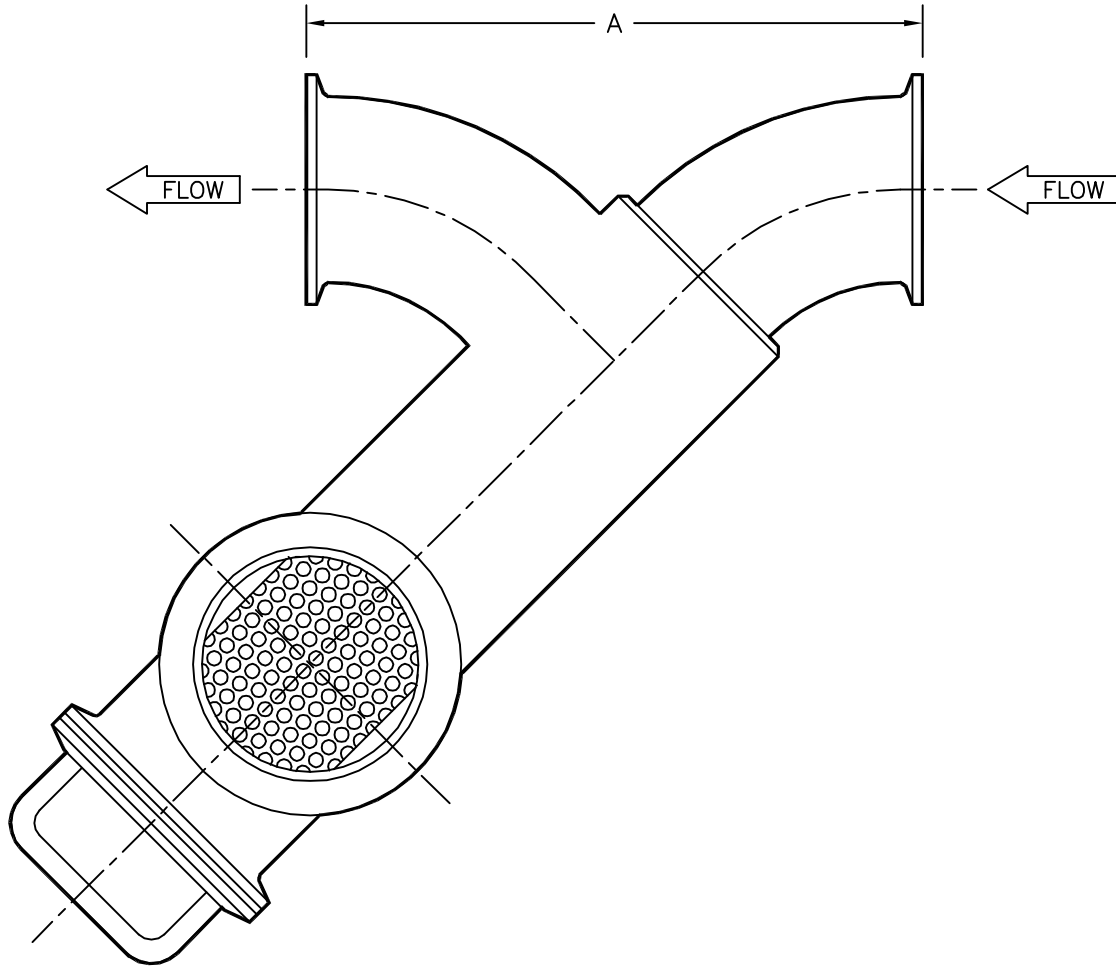


| REVISIONS | | | |
|-----------|---------------------|-----------|-----|
| REVISION | DESCRIPTION | DATE | BY |
| 1 | ADDED 6" DIMENSIONS | MAY 02/08 | BAP |



| CONN. SIZE | SCREEN AREA (sq. in.) | A | | B | |
|------------|-----------------------|-----|------|-----|------|
| | | mm | in. | mm | in. |
| 1½" | 36.5 | 147 | 5.8 | 195 | 7.7 |
| 2" | 48.7 | 173 | 6.8 | 206 | 8.1 |
| 2½" | 60.8 | 211 | 8.3 | 214 | 8.4 |
| 3" | 70.5 | 242 | 9.5 | 229 | 9.0 |
| 4" | 144 | 381 | 15.0 | 334 | 13.1 |
| 4" | 320 | 381 | 15.0 | 573 | 22.6 |
| 6" | 504 | 531 | 20.9 | 585 | 23.0 |

THIS DRAWING AND ALL IDEAS INCORPORATED IN ITS DESIGN IS THE EXCLUSIVE PROPERTY OF FLOWTECH, INC. ITS ACCEPTANCE CONSTITUTES AN AGREEMENT THAT IT SHALL BE TREATED AS A CONFIDENTIAL DOCUMENT USED FOR NO OTHER PURPOSE THAN TO AID IN ITS CONSTRUCTION. THAT IT IS TO BE RETURNED UPON REQUEST, AND THAT IT IS NOT TO BE DISCLOSED OR COPIED EXCEPT AS AUTHORIZED IN WRITING BY FLOWTECH, INC.

FLOWTECH DIV.
TEKNOFLOW, INC. ATLANTA, GEORGIA-USA

| | | |
|------------------------------|---------|-------------|
| MATERIAL | BY | DATE |
| FINISH(UNLESS NOTED ON DWG.) | DRAWN | JPZ 4/29/94 |
| WEIGHT | CHECKED | |
| | APP'D | |
| | SCALE | 1:1 |
| ALL DIMENSIONS IN MM | | |

| | |
|------------------------------|--------------|
| DWG. TITLE | |
| #55 STRAINER GEN. DIMENSIONS | |
| SIZE | DWG. NO. |
| | 550999 |
| RELEASE DATE FEB. 13, 1997 | SHEET 1 OF 1 |