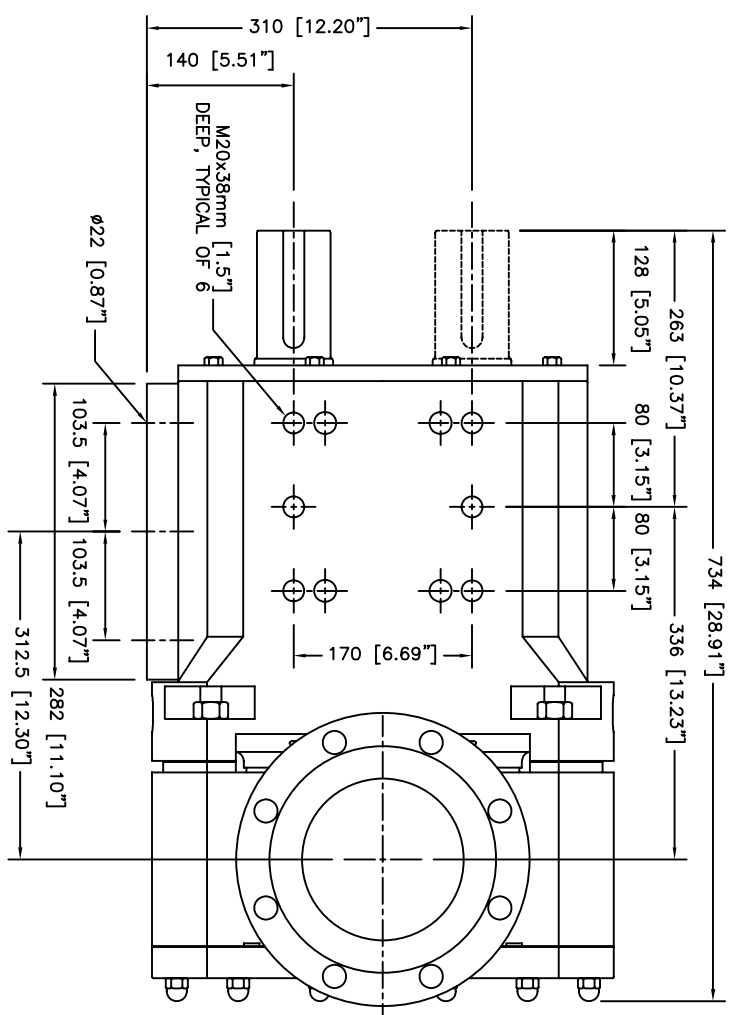
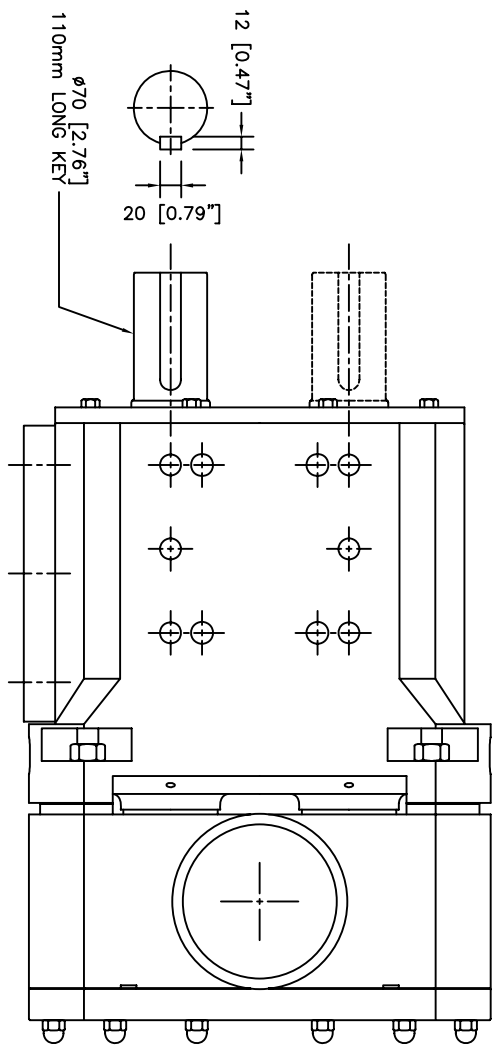
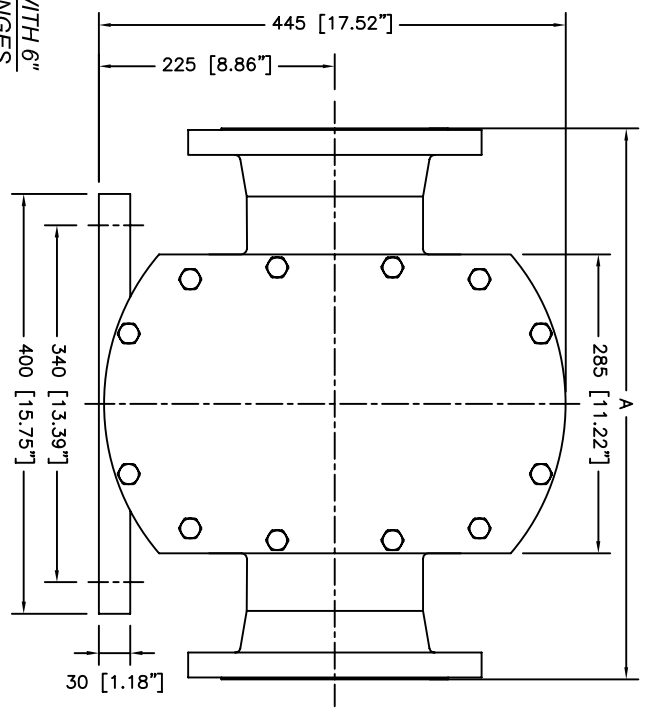


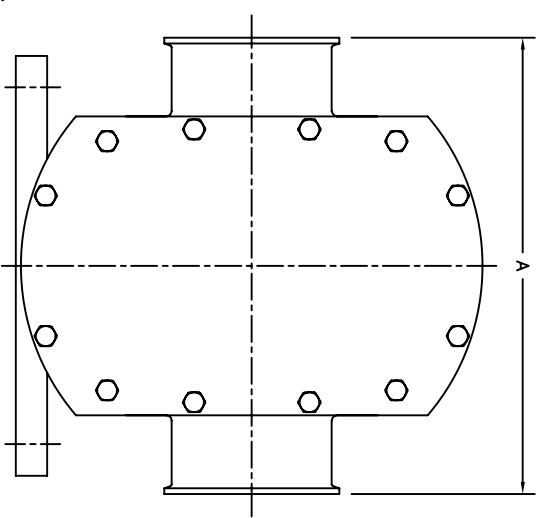
REVISIONS		REV. NO.	DESCRIPTION	DATE	BY



UNIBLOC 650 WITH 6"
ANSI 150# FLANGES



UNIBLOC 650 WITH 6"
SANITARY CLAMP FLANGES



PORT TYPE	PORT SIZE	A		DRAWN		DATE		DWG. TITLE	DWG. NO.	SIZE	RELEASE DATE	SHEET
		mm	in.	BY	DATE	BY	DATE					
SANITARY TRICLAMP	6"	435	17.1					GENERAL DIMENSIONS	652	D2-652A	APR. 24, 2009	1 OF 1
ACME	6"	435	17.1									
DIN 11951	6"	525	20.7									
ANSI 150# FLANGE	6"	525	20.7									
ANSI 300# FLANGE	6"	525	20.7									
DIN 16 BAR FLANGE	DN150	525	20.7									

FLOWTECH DIV.
UNIBLOC-PUMP INC. USA

THE DRAWING AND ALL RIGHTS RESERVED IN THE DESIGN IS THE EXCLUSIVE PROPERTY OF FLOWTECH INC. THE ACCEPTANCE OF THIS DRAWING BY THE USER IMPLIES THE USER'S AGREEMENT TO THE TERMS AND CONDITIONS OF THE USER AGREEMENT. THIS DOCUMENT IS NOT TO BE REPRODUCED OR COPIED EXCEPT AS AUTHORIZED IN WRITING BY FLOWTECH INC./FLOWTECH DIV.

DWG. NO. 652
D2-652A
SCALE 1:3.5
DATE APR. 24, 2009
SHEET 1 OF 1