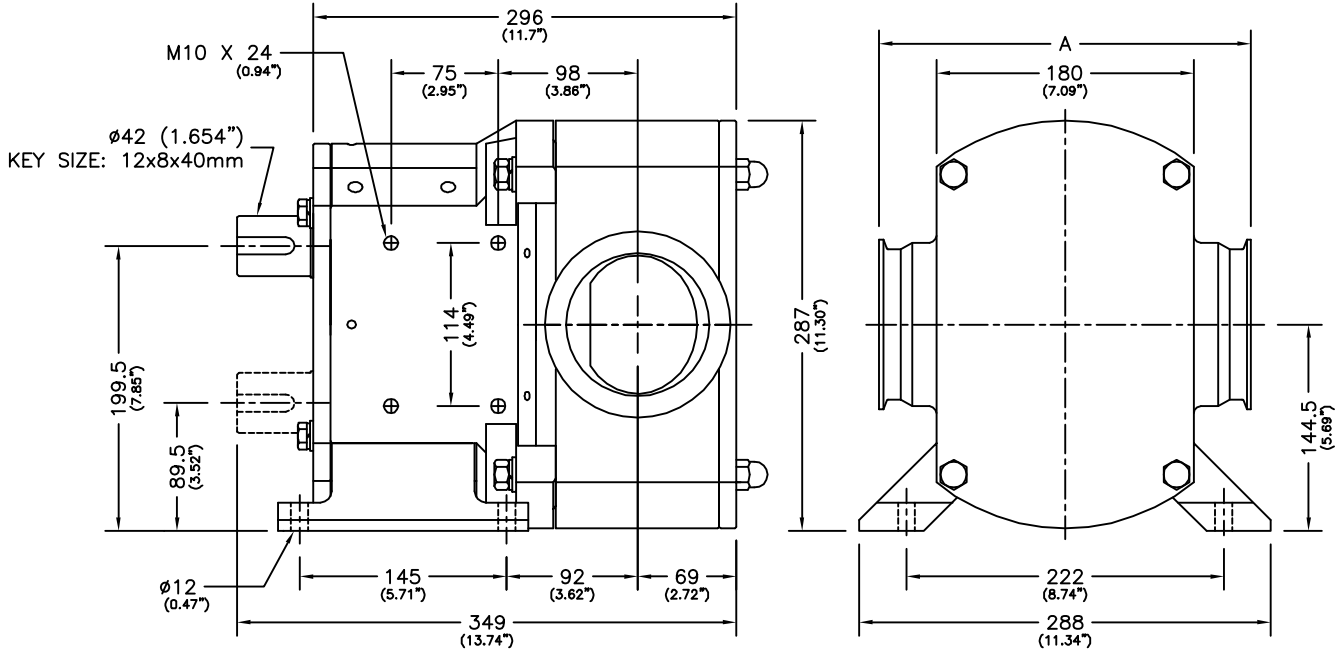
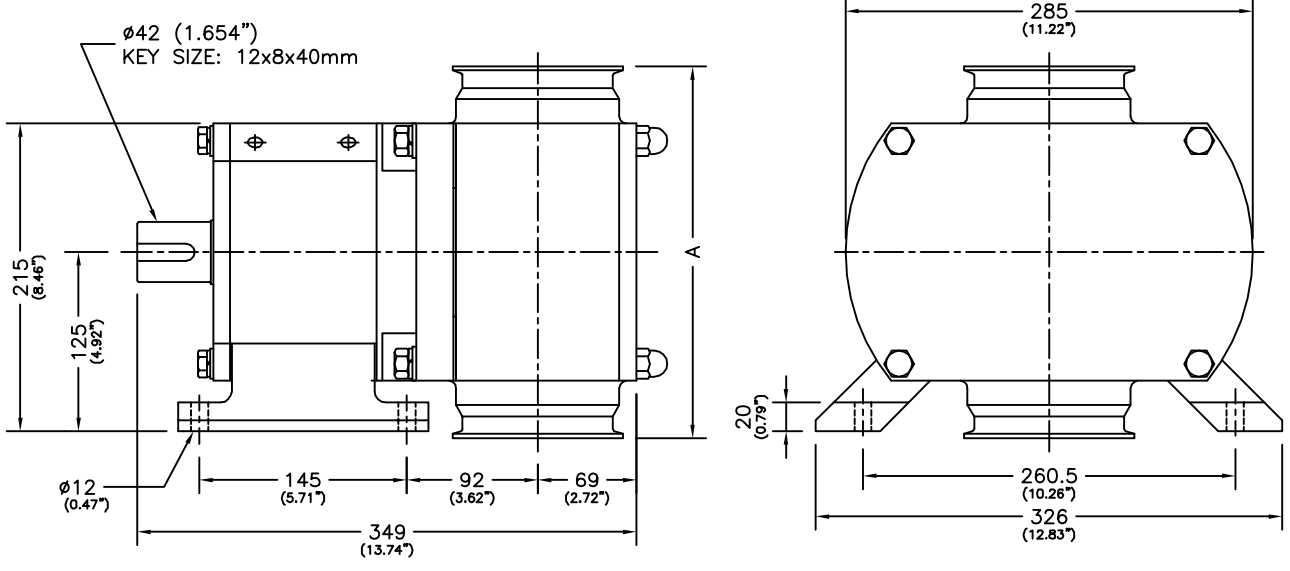


REVISIONS			
SYMBOL	DESCRIPTION	DATE	BY



HORIZONTAL THROUGH-PUT



VERTICAL THROUGH-PUT

PORT TYPE	PORT SIZE	A		<small>THIS DRAWING AND ALL IDEAS INCORPORATED IN ITS DESIGN IS THE EXCLUSIVE PROPERTY OF FLOWTECH, INC. ITS ACCEPTANCE CONSTITUTES AN AGREEMENT THAT IT SHALL BE TREATED AS A CONFIDENTIAL DOCUMENT USED FOR NO OTHER PURPOSE THAN TO BID IN ITS CONSTRUCTION. THAT IT IS TO BE RETURNED UPON REQUEST AND THAT IT IS NOT TO BE REPRODUCED OR COPIED EXCEPT AS AUTHORIZED IN WRITING BY FLOWTECH, INC.</small>	UNIBLOC [®] -PD	
		mm	in.		TEKNOFLOW, INC. ATLANTA, GA USA	
SANITARY TRICLAMP	4"	260	10.2	DRAWN CHECKED APP'D SCALE	DWG. TITLE GENERAL DIMENSIONS	
DIN 11851	DN 100	260	10.2		BY DATE	SIZE 576
ACME	4"	260	10.2	ALL DIMENSIONS IN MM	RELEASE DATE MAY 28, 1999	SHEET 1 OF 1