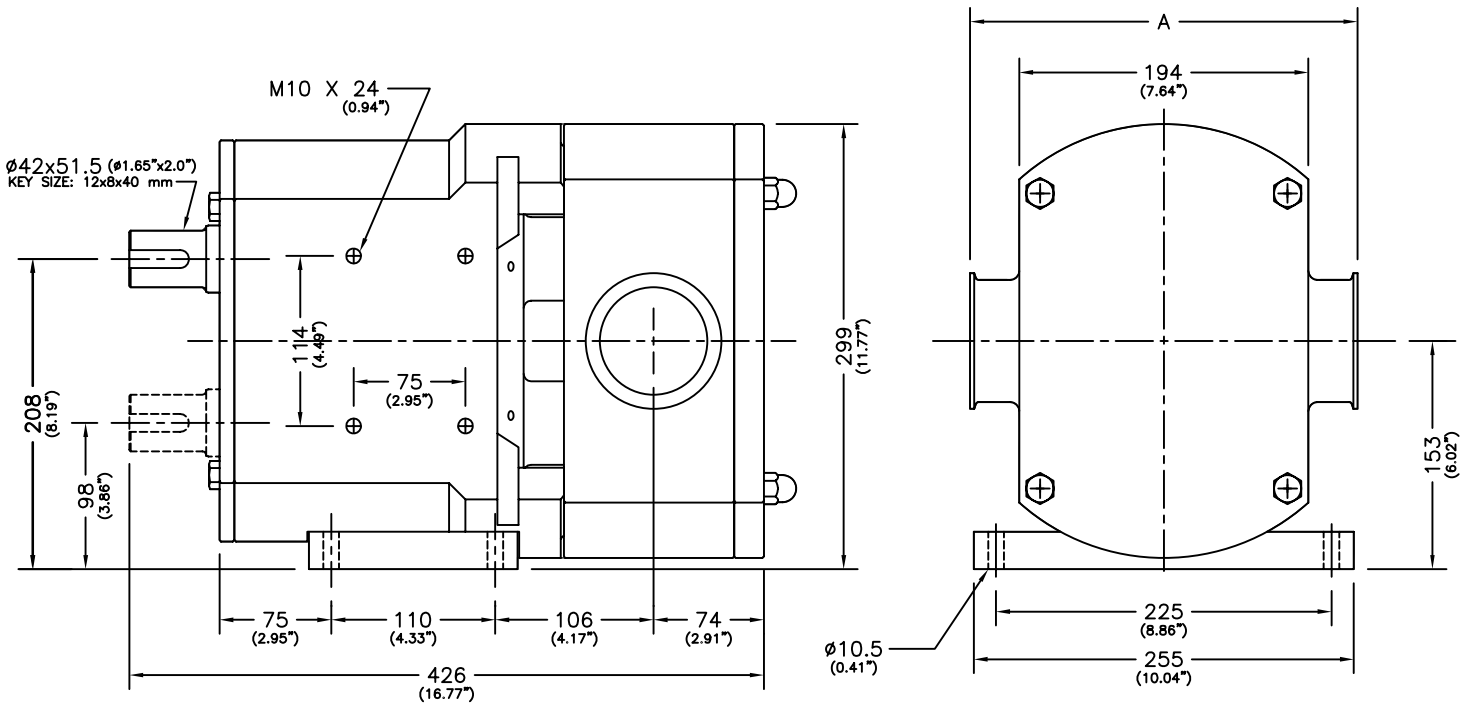
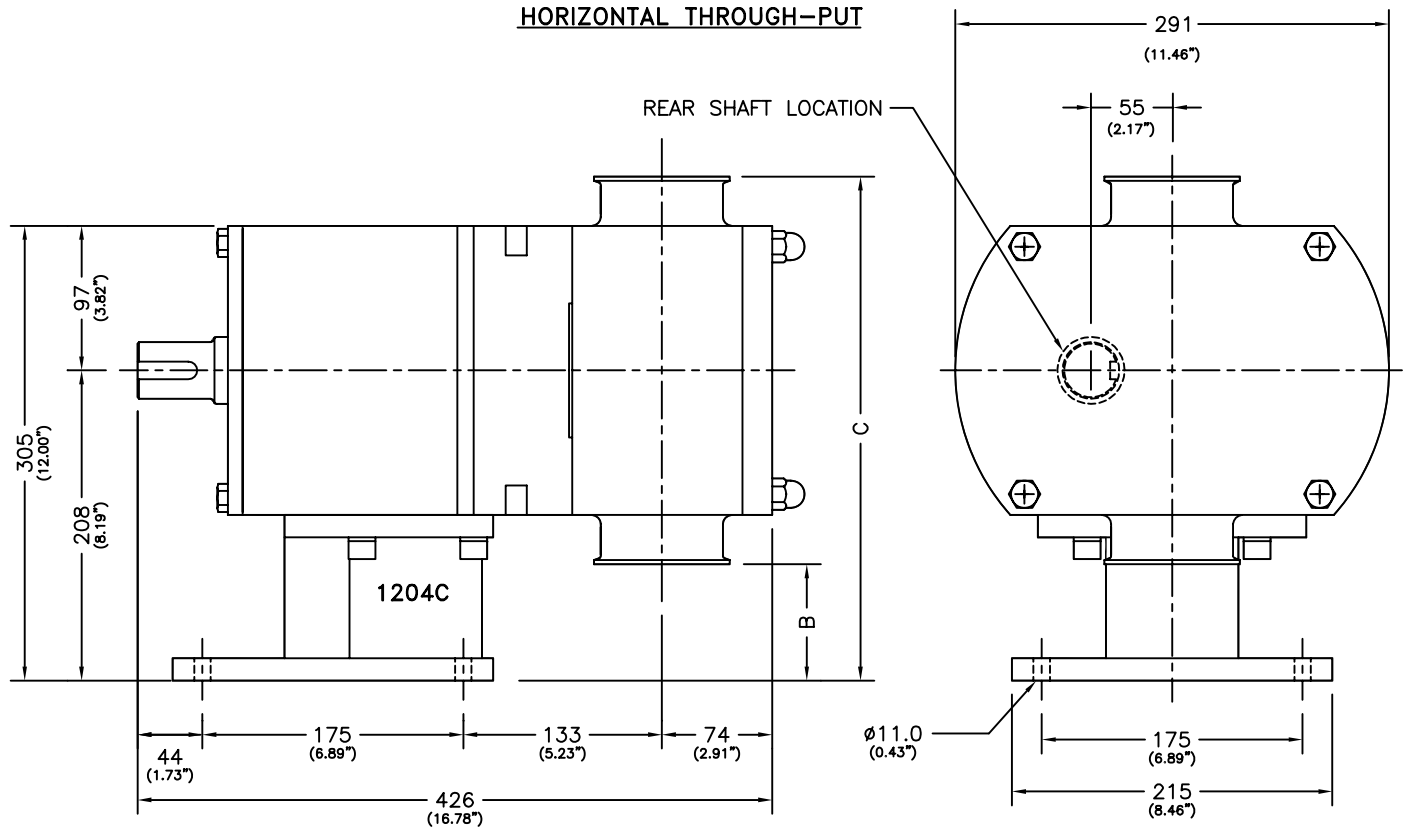


REVISIONS			
SYMBOL	DESCRIPTION	DATE	BY
1	added rear shaft location	DEC 9/05	BAP



HORIZONTAL THROUGH-PUT



VERTICAL THROUGH-PUT

PORT TYPE	PORT SIZE	A		B		C		THIS DRAWING AND ALL IDEAS INCORPORATED IN ITS DESIGN IS THE EXCLUSIVE PROPERTY OF FLOWTECH, INC. ITS ACCEPTANCE CONSTITUTES AN AGREEMENT THAT IT SHALL BE TREATED AS A CONFIDENTIAL DOCUMENT USED FOR NO OTHER PURPOSE THAN TO GO IN ITS CONSTRUCTION, THAT IT IS TO BE RETURNED UPON REQUEST, AND THAT IT IS NOT TO BE DISCLOSED OR COPIED EXCEPT AS AUTHORIZED IN WRITING BY FLOWTECH, INC.	DWG. TITLE	
		mm	In.	mm	In.	mm	In.			
SANITARY TRICLAMP	3"	260	10.2	78	3.07	338	13.3	FLOWTECH DIV. UNIBLOC-PUMP, INC. USA	DWG. NO. D560-62	
DIN 11851	DN 80	260	10.2	78	3.07	338	13.3			
IDF	3"	260	10.2	78	3.07	338	13.3			
SMS 681	NW 76	260	10.2	78	3.07	338	13.3			
RJT	3"	260	10.2	78	3.07	338	13.3			
ALL DIMENSIONS IN MM								SCALE	575	DWG. NO. D560-62
								RELEASE DATE OCT. 14, 2008	SHEET 1 OF 1	