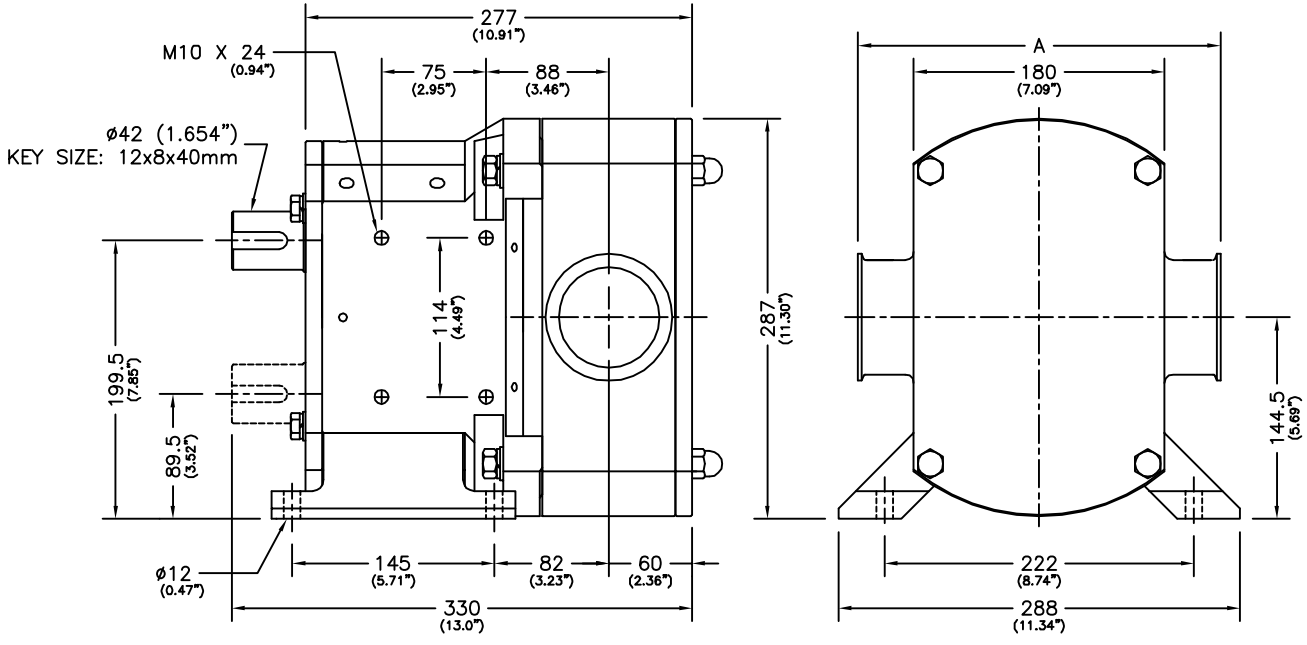
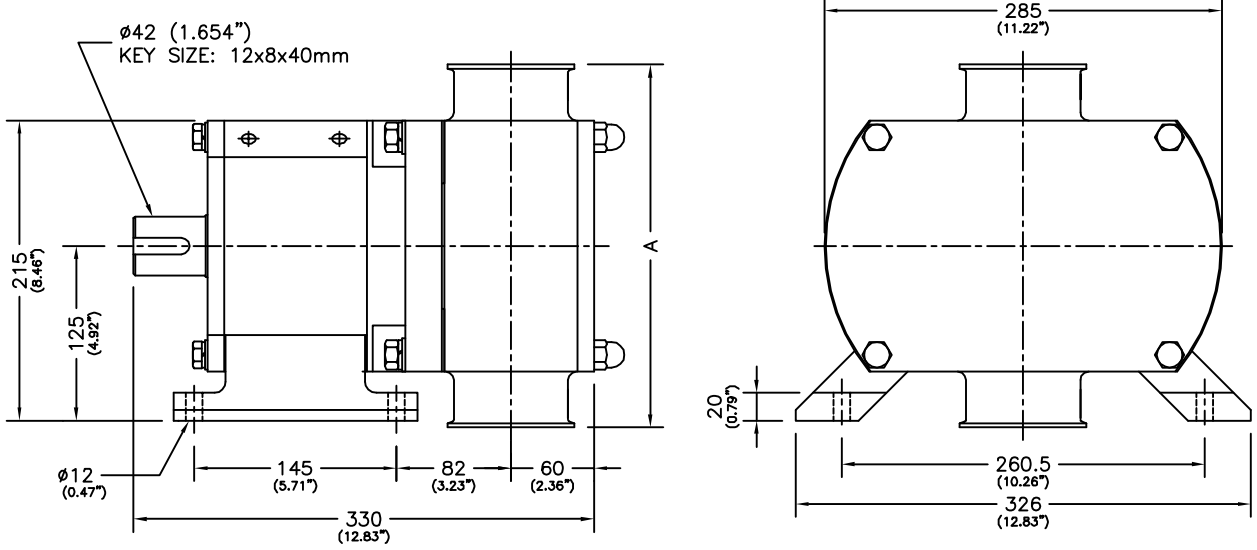


REVISIONS			
SYMBOL	DESCRIPTION	DATE	BY



HORIZONTAL THROUGH-PUT



VERTICAL THROUGH-PUT

PORT TYPE	PORT SIZE	A		<small>THIS DRAWING AND ALL LEGS INCORPORATED IN ITS DESIGN IS THE EXCLUSIVE PROPERTY OF FLOTECH, INC. ITS ACCEPTANCE CONSTITUTES AN AGREEMENT THAT IT SHALL BE TREATED AS A CONFIDENTIAL DOCUMENT USED FOR NO OTHER PURPOSE THAN TO AID IN ITS CONSTRUCTION, THAT IT IS TO BE RETURNED UPON REQUEST, AND THAT IT IS NOT TO BE REPRODUCED OR COPIED EXCEPT AS AUTHORIZED IN WRITING BY FLOTECH, INC.</small>	UNIBLOC®-PD TEKNOFLOW, INC. ATLANTA, GA USA		
		mm	In.		DWG. TITLE	SCALE	DWG. NO.
SANITARY TRICLAMP	3"	260	10.2	DRAWN			GENERAL DIMENSIONS SIZE 551 DWG. NO. D551 RELEASE DATE NOV. 2, 1998 SHEET 1 OF 1
DIN 11851	DN 80	260	10.2	CHECKED			
IDF	3"	260	10.2	APP'D			
SMS 681	NW 76	260	10.2	SCALE			
RJT	3"	260	10.2	ALL DIMENSIONS IN MM			