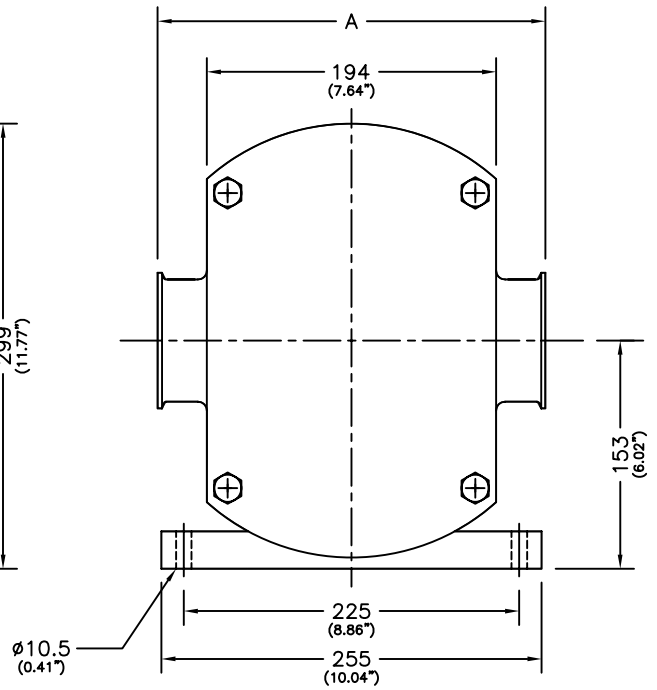
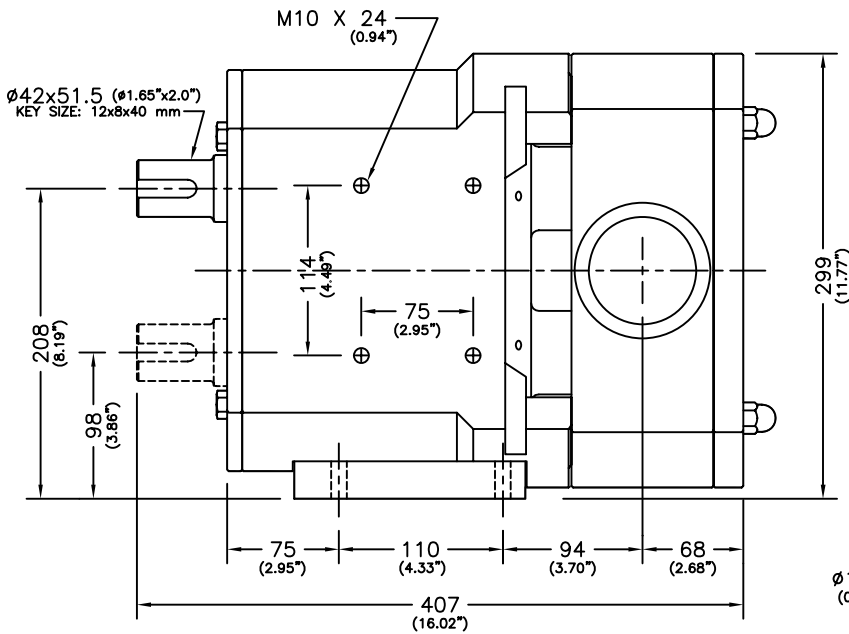
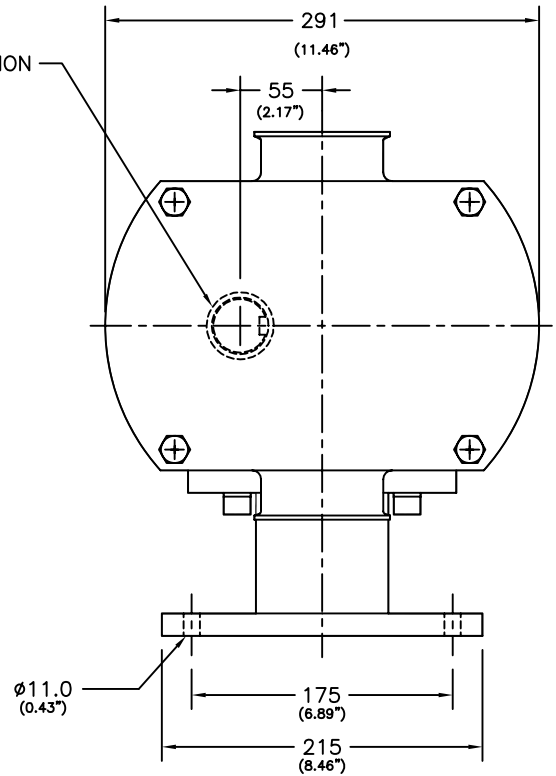
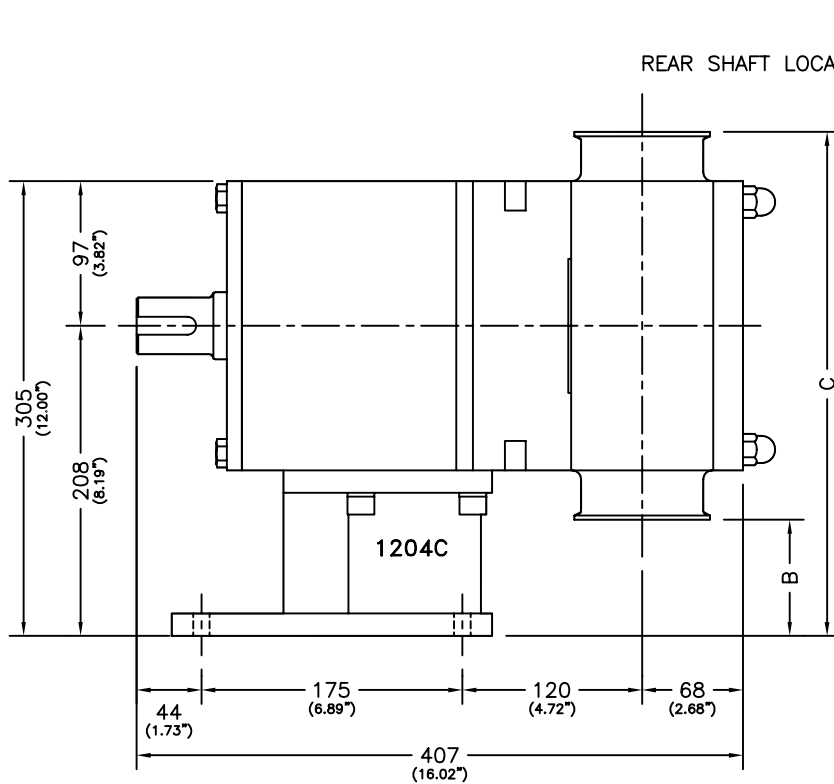


REVISIONS			
REV	DESCRIPTION	DATE	BY
1	change 95mm to 110mm	DEC 9/05	BAP
	added rear shaft location	DEC 9/05	BAP



HORIZONTAL THROUGH-PUT



VERTICAL THROUGH-PUT

PORT TYPE	PORT SIZE	A		B		C		<small>THIS DRAWING AND ALL IDEAS INCORPORATED IN ITS DESIGN IS THE EXCLUSIVE PROPERTY OF FLOWTECH, INC. ITS ACCEPTANCE CONSTITUTES AN AGREEMENT THAT IT SHALL BE TREATED AS A CONFIDENTIAL DOCUMENT USED FOR NO OTHER PURPOSE THAN TO GO IN ITS CONSTRUCTION, THAT IT IS TO BE RETURNED UPON REQUEST, AND THAT IT IS NOT TO BE DISCLOSED OR COPIED EXCEPT AS AUTHORIZED IN WRITING BY FLOWTECH, INC.</small>			
		mm	in.	mm	in.	mm	in.				
SANITARY TRICLAMP	3"	260	10.2	78	3.07	338	13.3	DWG. TITLE	GENERAL DIMENSIONS		
DIN 11851	DN 80	260	10.2	78	3.07	338	13.3	BY			
IDF	3"	260	10.2	78	3.07	338	13.3	DRAWN			
SMS 681	NW 76	260	10.2	78	3.07	338	13.3	CHECKED			
RJT	3"	260	10.2	78	3.07	338	13.3	APP'D			
SCALE											
ALL DIMENSIONS IN MM								SIZE	550	DWG. NO.	D530-32
								RELEASE DATE	OCT. 14, 2008	SHEET	1 OF 1