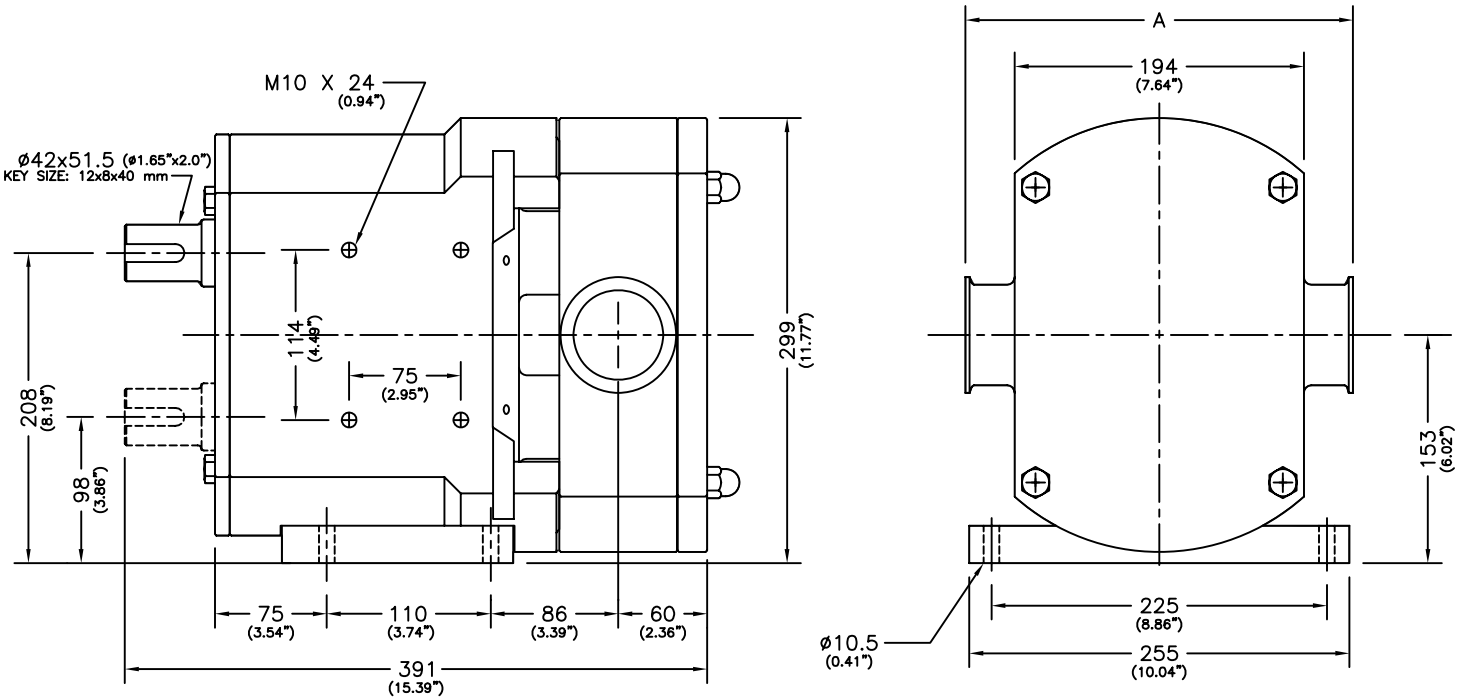
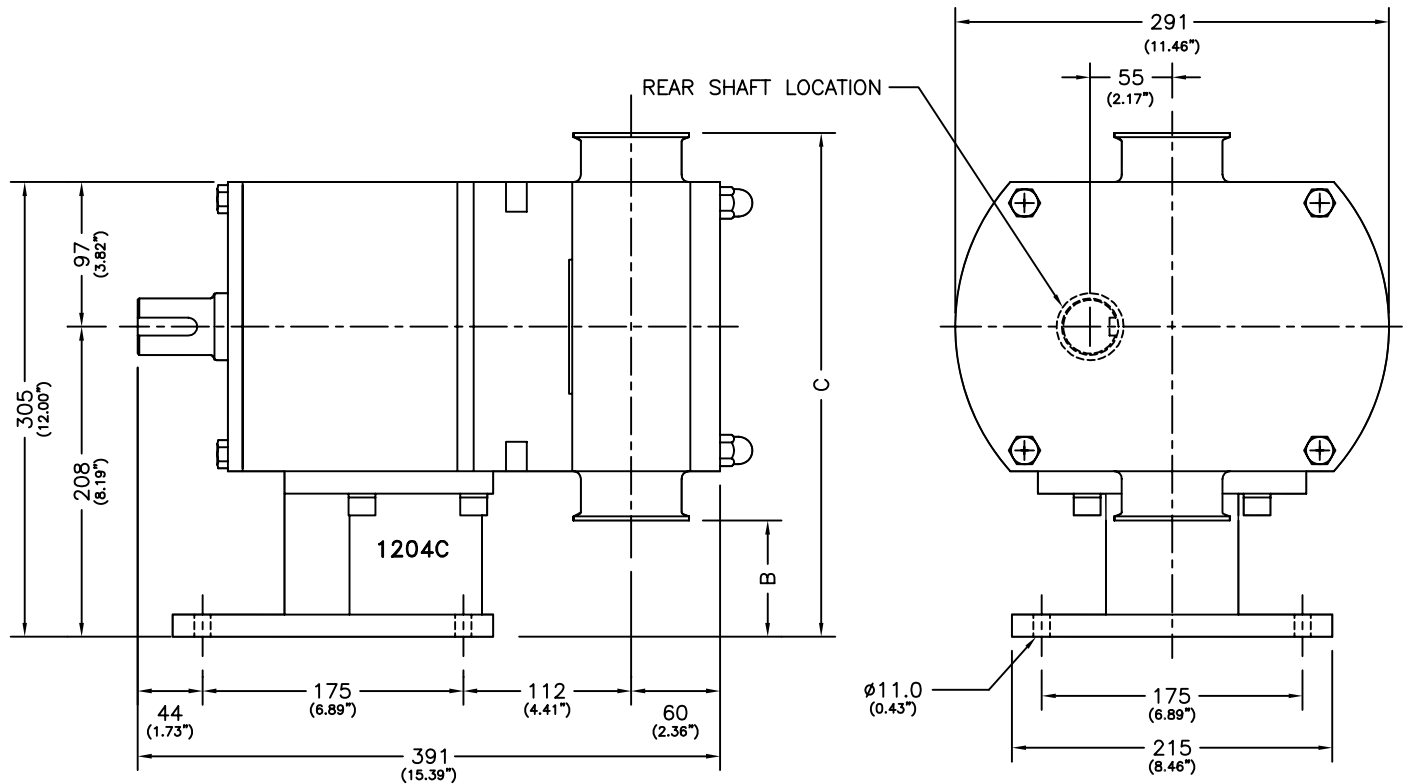


REVISIONS			
REVISION	DESCRIPTION	DATE	BY
1	ADDED REAR SHAFT POSITION	10/07/05	BAP
	95mm to 110mm	12/09/05	BAP



HORIZONTAL THROUGH-PUT



VERTICAL THROUGH-PUT

PORT TYPE	PORT SIZE	A		B		C	
		mm	in.	mm	in.	mm	in.
SANITARY TRICLAMP	2.5"	260	10.2	78	3.07	338	13.3
DIN 11851	DN 65	260	10.2	78	3.07	338	13.3
IDF	2.5"	260	10.2	78	3.07	338	13.3
SMS 681	NW 63.6	260	10.2	78	3.07	338	13.3
RJT	2.5"	260	10.2	78	3.07	338	13.3

<small>THIS DRAWING AND ALL IDEAS INCORPORATED IN ITS DESIGN IS THE EXCLUSIVE PROPERTY OF FLOWTECH, INC. ITS ACCEPTANCE CONSTITUTES AN AGREEMENT THAT IT SHALL BE TREATED AS A CONFIDENTIAL DOCUMENT USED FOR NO OTHER PURPOSE THAN TO GO IN ITS CONSTRUCTION, THAT IT IS TO BE RETURNED UPON REQUEST, AND THAT IT IS NOT TO BE DISCLOSED OR COPIED EXCEPT AS AUTHORIZED IN WRITING BY FLOWTECH, INC.</small>		
FLOWTECH DIV. UNIBLOC-PUMP, INC. USA	DWG. TITLE GENERAL DIMENSIONS	
SCALE ALL DIMENSIONS IN MM	DWG. NO. D500-02	DWG. TITLE 500
RELEASE DATE OCT. 14, 2008 SHEET 1 OF 1		