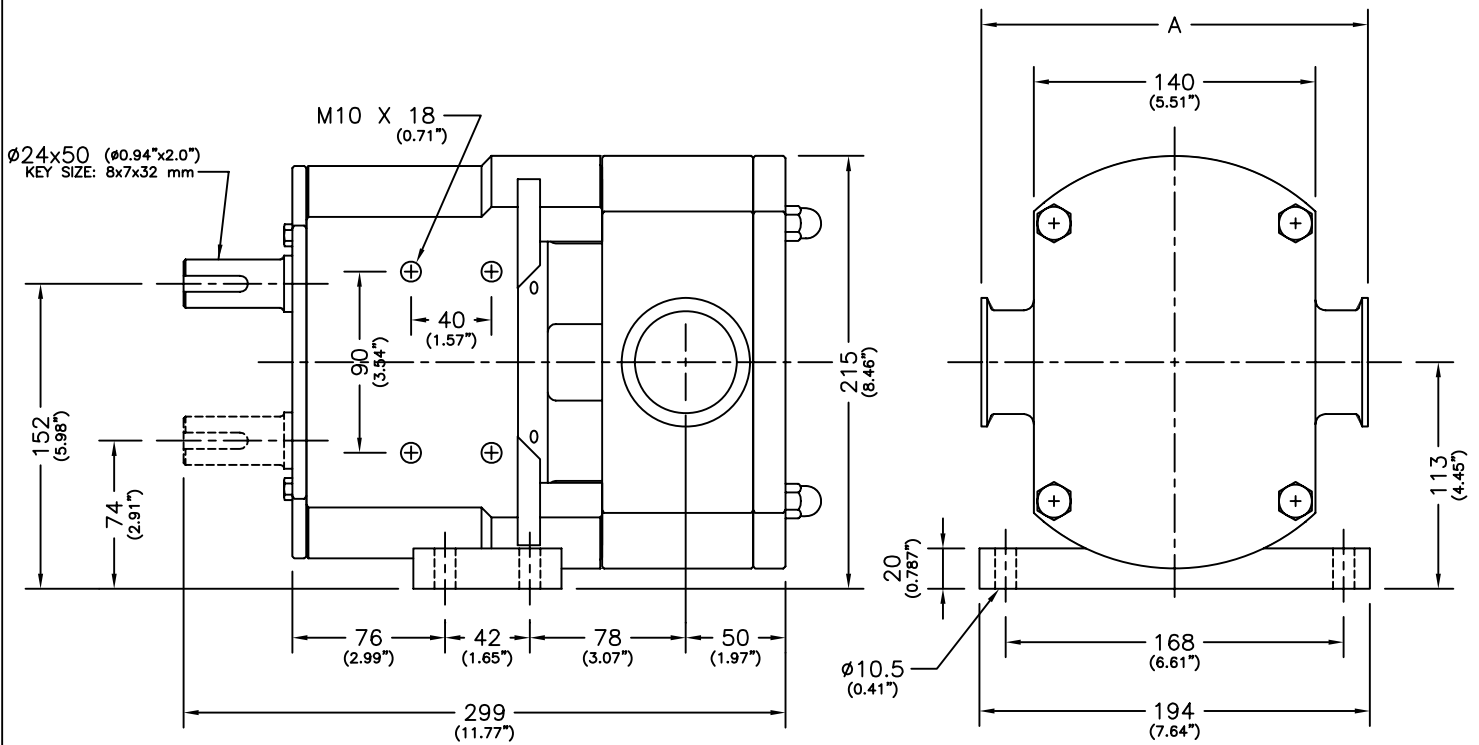
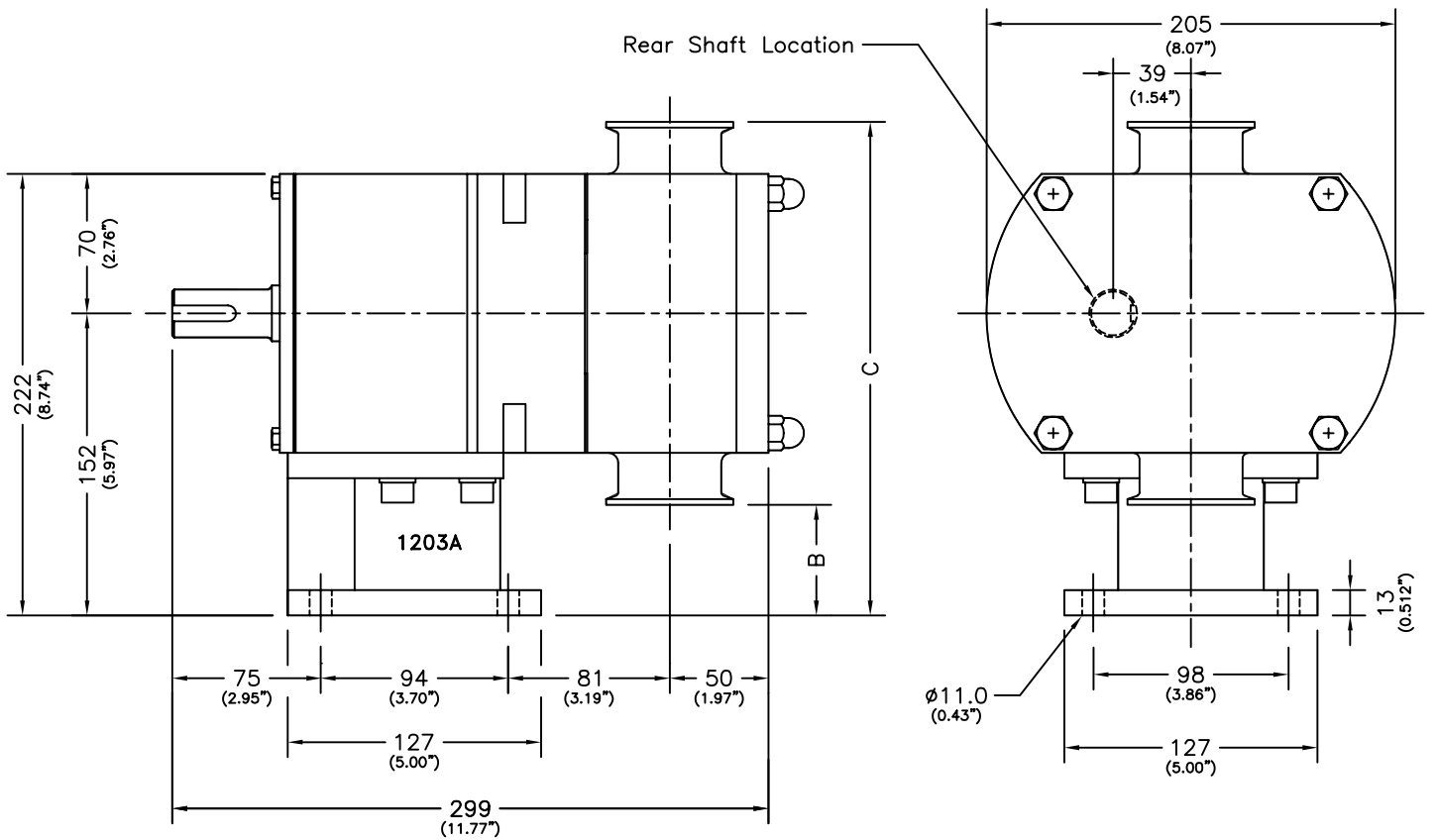


REVISIONS			
SYMBOL	DESCRIPTION	DATE	BY
1	ADDED REAR SHAFT LOCATION	NOV. 1, 2005	BAP



**HORIZONTAL THROUGH-PUT**



**VERTICAL THROUGH-PUT**

PORT TYPE	PORT SIZE	A		B		C		<small>THIS DRAWING AND ALL IDEAS INCORPORATED IN ITS DESIGN IS THE EXCLUSIVE PROPERTY OF FLOWTECH, INC. ITS ACCEPTANCE CONSTITUTES AN AGREEMENT THAT IT SHALL BE TREATED AS A CONFIDENTIAL DOCUMENT USED FOR NO OTHER PURPOSE THAN TO GO IN ITS CONSTRUCTION, THAT IT IS NOT TO BE RETURNED UPON REQUEST, AND THAT IT IS NOT TO BE DISCLOSED OR COPIED EXCEPT AS AUTHORIZED IN WRITING BY FLOWTECH, INC.</small>																				
		mm	in.	mm	in.	mm	in.																					
SANITARY TRICLAMP	2"	192	7.56	56	2.20	248	9.76	<table border="1"> <tr> <td colspan="2">DRAWN</td> <td>BY</td> <td>DATE</td> </tr> <tr> <td colspan="2">CHECKED</td> <td></td> <td></td> </tr> <tr> <td colspan="2">APP'D</td> <td></td> <td></td> </tr> <tr> <td colspan="2">SCALE</td> <td></td> <td></td> </tr> <tr> <td colspan="4">ALL DIMENSIONS IN MM</td> </tr> </table>	DRAWN		BY	DATE	CHECKED				APP'D				SCALE				ALL DIMENSIONS IN MM			
DRAWN		BY	DATE																									
CHECKED																												
APP'D																												
SCALE																												
ALL DIMENSIONS IN MM																												
DIN 11851	DN 50	192	7.56	56	2.20	248	9.76																					
IDF	2"	192	7.56	56	2.20	248	9.76																					
SMS 681	NW 51	192	7.56	56	2.20	248	9.76																					
RJT	2"	192	7.56	56	2.20	248	9.76																					



DWG. TITLE	
<b>GENERAL DIMENSIONS</b>	
SIZE	DWG. NO.
450	D450-52
RELEASE DATE OCT. 14, 2008 SHEET 1 OF 1	