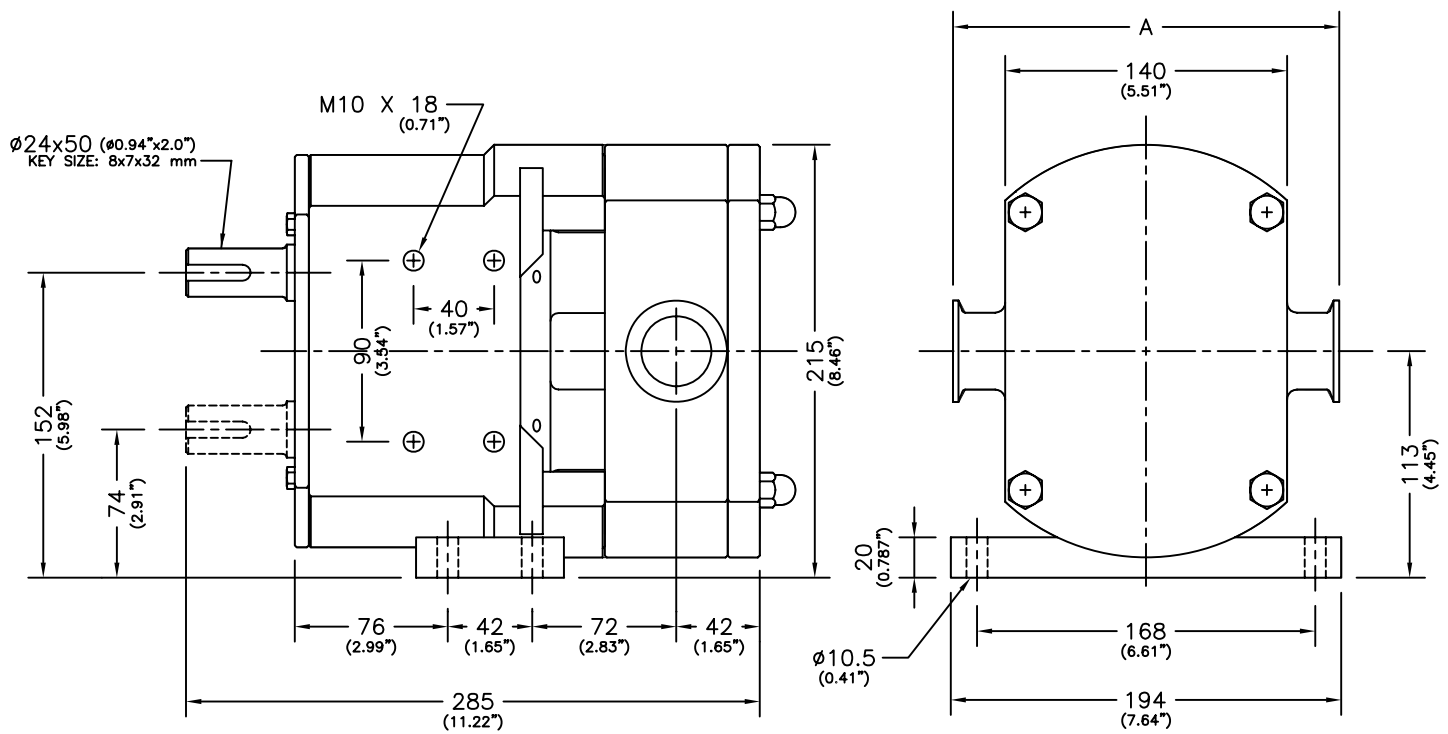
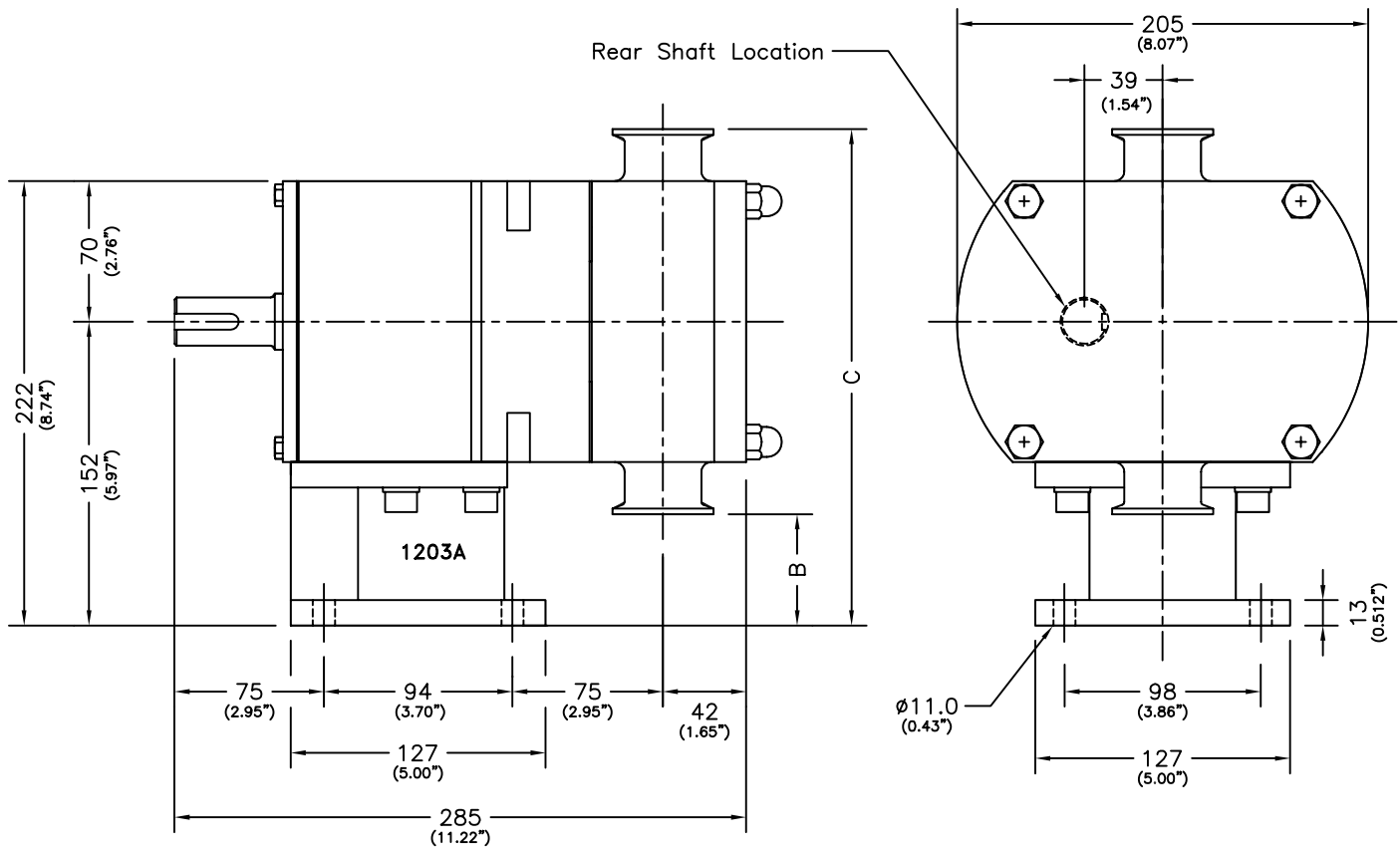


REVISIONS			
SYMBOL	DESCRIPTION	DATE	BY
1	ADDED REAR SHAFT LOCATION	NOV. 1, 2005	BAP



**HORIZONTAL THROUGH-PUT**



**VERTICAL THROUGH-PUT**

PORT TYPE	PORT SIZE	A		B		C		<small>THIS DRAWING AND ALL IDEAS INCORPORATED IN ITS DESIGN IS THE EXCLUSIVE PROPERTY OF FLOWTECH, INC. ITS ACCEPTANCE CONSTITUTES AN AGREEMENT THAT IT SHALL BE TREATED AS A CONFIDENTIAL DOCUMENT USED FOR NO OTHER PURPOSE THAN TO GO IN ITS CONSTRUCTION. THAT IT IS NOT TO BE RETURNED UPON REQUEST, AND THAT IT IS NOT TO BE DISCLOSED OR COPIED EXCEPT AS AUTHORIZED IN WRITING BY FLOWTECH, INC.</small>		
		mm	in.	mm	in.	mm	in.		DWG. TITLE	
SANITARY TRICLAMP	1.5"	192	7.56	56	2.20	248	9.76	DRAWN	BY	DATE
DIN 11851	DN 40	192	7.56	56	2.20	248	9.76	CHECKED		
IDF	1.5"	192	7.56	56	2.20	248	9.76	APP'D		
SMS 681	NW 38	192	7.56	56	2.20	248	9.76	SCALE		
RJT	1.5"	192	7.56	56	2.20	248	9.76	ALL DIMENSIONS IN MM		DWG. NO. <b>D400-02</b> RELEASE DATE OCT. 14, 2008 SHEET 1 OF 1