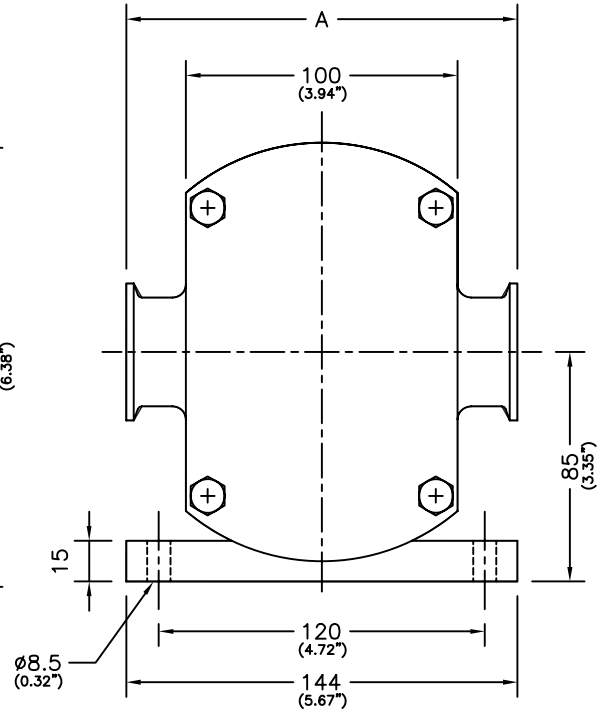
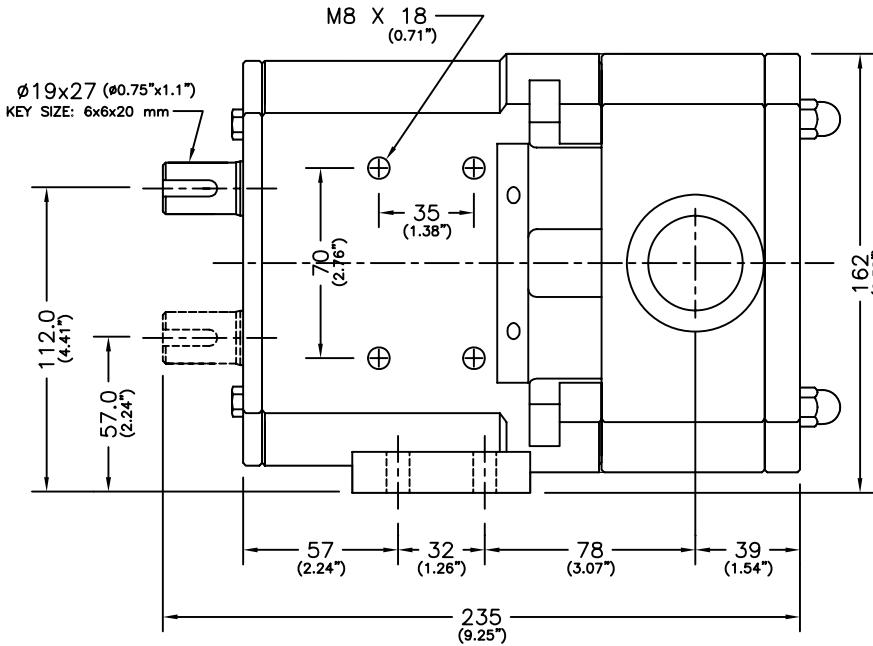
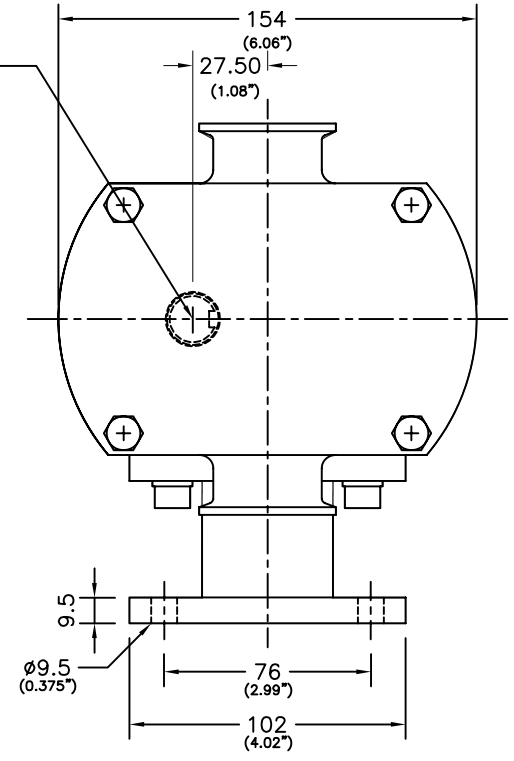
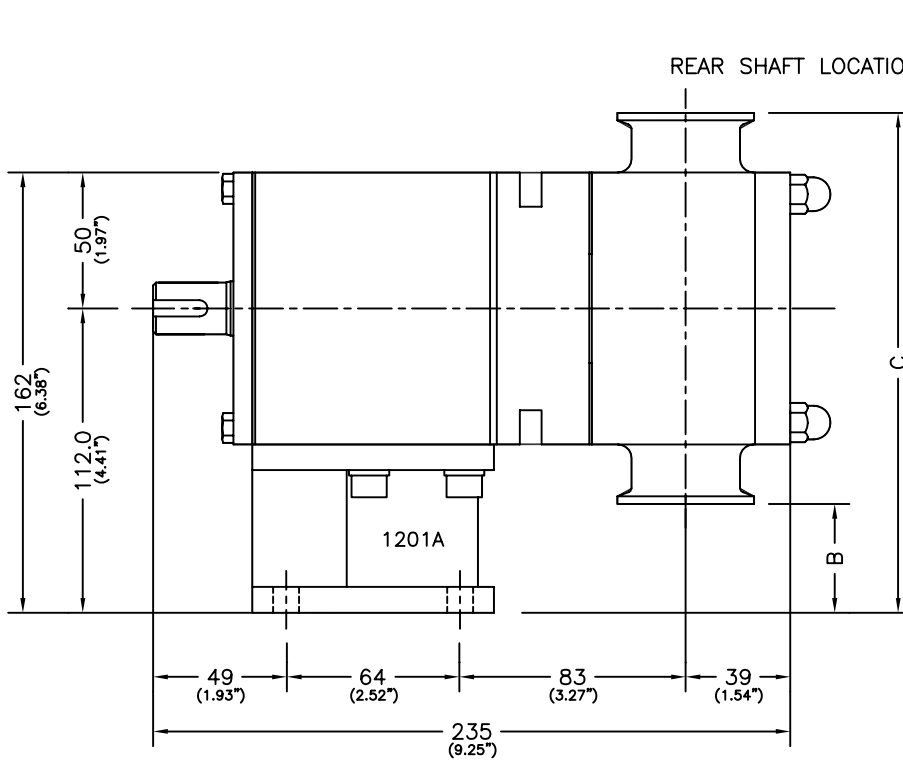


REVISIONS			
SYMBOL	DESCRIPTION	DATE	BY
1	ADDED REAR SHAFT POSITION	NOV. 1, 2005	BAP



HORIZONTAL THROUGH-PUT



VERTICAL THROUGH-PUT

PORT TYPE	PORT SIZE	A		B		C	
		mm	In.	mm	In.	mm	In.
SANITARY TRICLAMP	1.5"	144	5.67	40	1.57	184	7.24
DIN 11851	DN 40	140	5.91	37	1.46	187	7.36
IDF	1.5"	140	5.91	37	1.46	187	7.36
SMS 681	NW 38	140	5.91	37	1.46	187	7.36
RJT	1.5"	140	5.91	37	1.46	187	7.36

THIS DRAWING AND ALL IDEAS INCORPORATED IN ITS DESIGN IS THE EXCLUSIVE PROPERTY OF FLOWTECH, INC. ITS ACCEPTANCE CONSTITUTES AN AGREEMENT THAT IT SHALL BE TREATED AS A CONFIDENTIAL DOCUMENT USED FOR NO OTHER PURPOSE THAN TO GO IN ITS CONSTRUCTION, THAT IT IS NOT TO BE RETURNED UPON REQUEST, AND THAT IT IS NOT TO BE DISCLOSED OR COPIED EXCEPT AS AUTHORIZED IN WRITING BY FLOWTECH, INC.

DRAWN _____ BY _____ DATE _____
 CHECKED _____
 APP'D _____
 SCALE _____

ALL DIMENSIONS IN MM

FLOWTECH DIV.
UNIBLOC-PUMP, INC. USA

DWG. TITLE
GENERAL DIMENSIONS

SIZE **350** DWG. NO. **D350-52**

RELEASE DATE OCT. 14, 2008 SHEET 1 OF 1