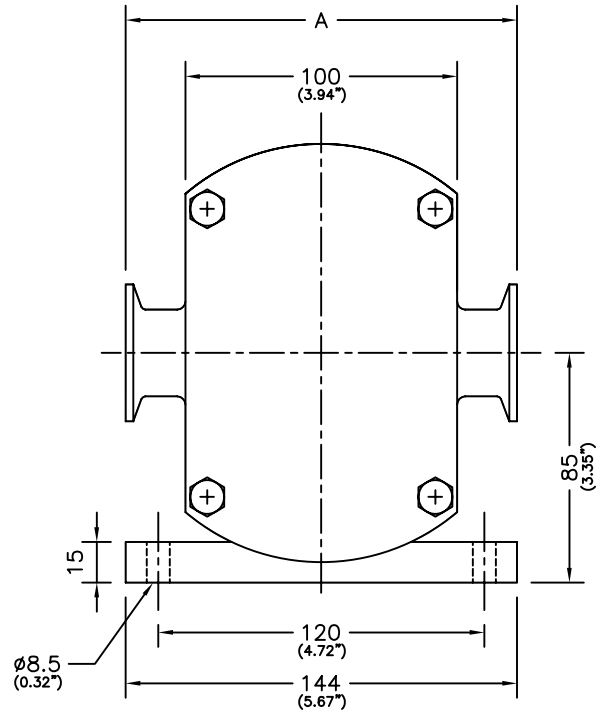
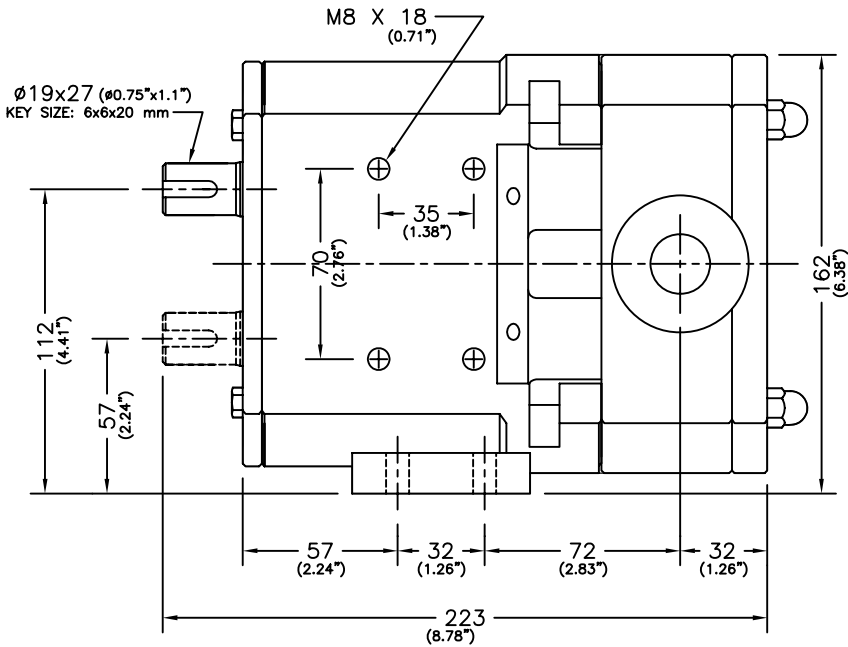
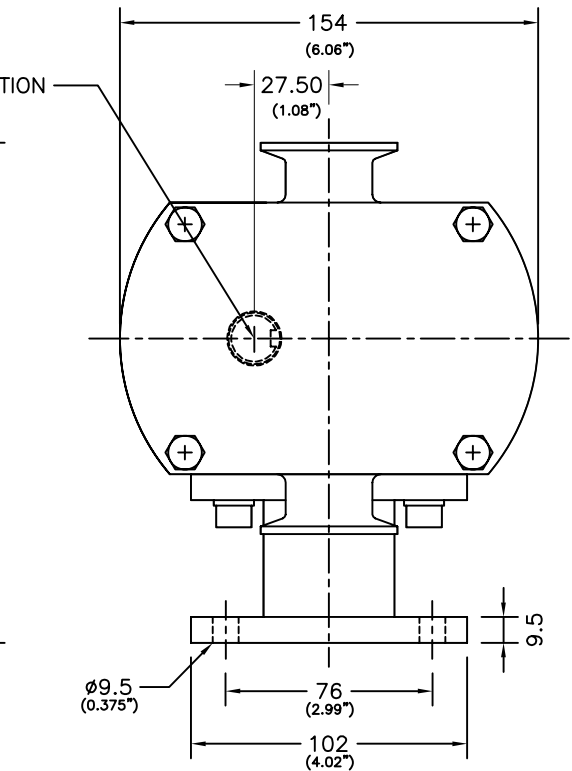
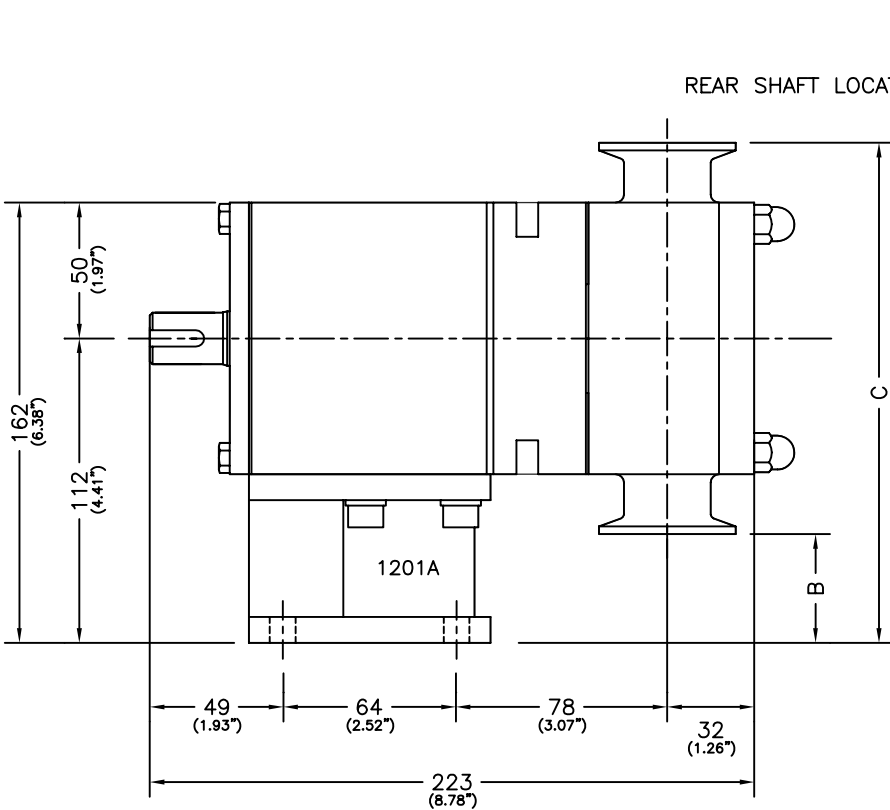


REVISIONS			
REVISION	DESCRIPTION	DATE	BY
1	ADDED REAR SHAFT POSITION	NOV. 1, 2005	BAP



HORIZONTAL THROUGH-PUT



VERTICAL THROUGH-PUT

PORT TYPE	PORT SIZE	A		B		C		<small>THIS DRAWING AND ALL IDEAS INCORPORATED IN ITS DESIGN IS THE EXCLUSIVE PROPERTY OF FLOWTECH, INC. ITS ACCEPTANCE CONSTITUTES AN AGREEMENT THAT IT SHALL BE TREATED AS A CONFIDENTIAL DOCUMENT USED FOR NO OTHER PURPOSE THAN TO GO IN ITS CONSTRUCTION. THAT IT IS TO BE RETURNED UPON REQUEST, AND THAT IT IS NOT TO BE DISCLOSED OR COPIED EXCEPT AS AUTHORIZED IN WRITING BY FLOWTECH, INC.</small>				
		mm	In.	mm	In.	mm	In.		DWG. TITLE			
SANITARY TRICLAMP	1"	144	5.67	40	1.57	184	7.24	BY	DATE	GENERAL DIMENSIONS		
DIN 11851	DN 25	140	5.91	37	1.46	187	7.36	CHECKED				
IDF	1"	140	5.91	37	1.46	187	7.36	APP'D		SCALE		
SMS 681	NW 25	140	5.91	37	1.46	187	7.36			300	DWG. NO. D300-02	
RJT	1"	140	5.91	37	1.46	187	7.36				RELEASE DATE OCT. 14, 2008	SHEET 1 OF 1