

BETTER BUTTERFLY™



Application

Flowtech's newly engineered #43 sanitary & industrial butterfly-valve is designed for manual or automated mode of operation, for use in beverage, food, pharmaceutical and related industries.

Design

Each valve half including the ferrule is precision machined out of solid stock, and electropolished to the highest standard.

The #43 is designed with versatility in mind and is available in many different configurations. All valve combinations are available in sizes $\frac{3}{4}$ to 8 inch.

Material

All wetted metal parts are 304 or electropolished 316L stainless steel. Elastomers are white silicone, EPDM, Viton or PTFE.



Manual valve with on-off function.



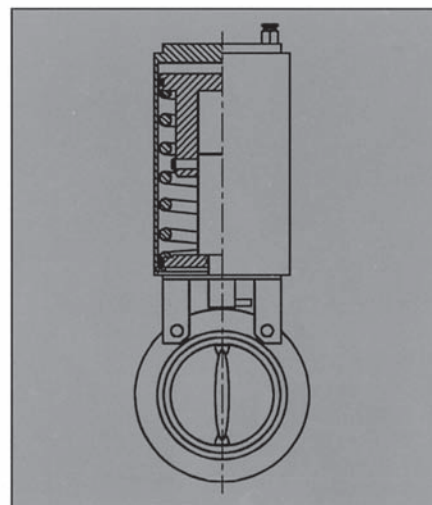
Manual valve with position switches in Nema 4.



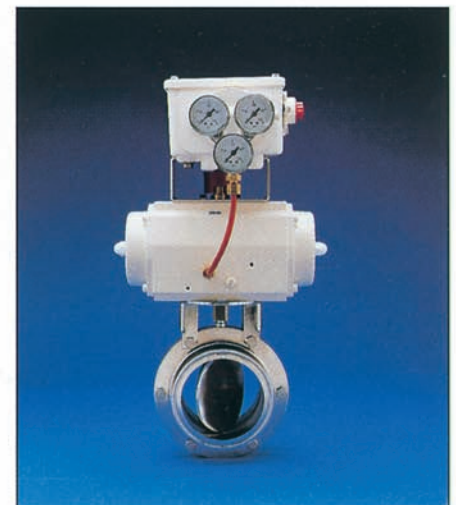
Manual valve with infinite adjustable handle for throttling.



Automated valve with air-actuator, all stainless.



Sectional drawing of valve assembly.



Automated valve with pneumatic actuator including controller and air pressure indicators.

Linkage

Flowtech's new development also includes various types of dual-valve linkage arrangements for accurate and synchronous movement of 2 valves.

This arrangement is available in two options, **diverter or block & bleed**.

Only one actuator is needed to control the 2 valves and piping is only in one plane.

Optional

Electric actuators, throttling actuators and position indicators.

Explosion proof micro switches in actuator for position indication.

Polishing up to 320 grit plus electropolishing.

Hastelloy - C material.

ACME threaded or other types of connections.



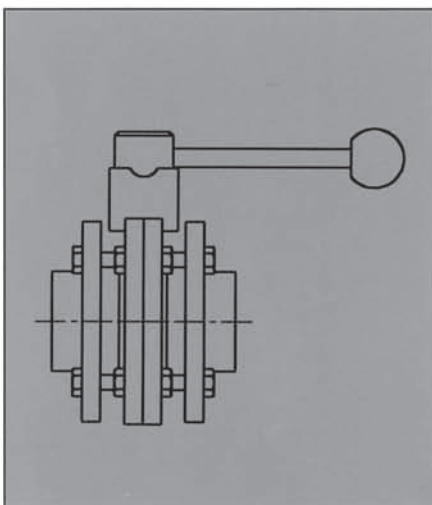
Diverter-valve with 180° linkage and actuator.



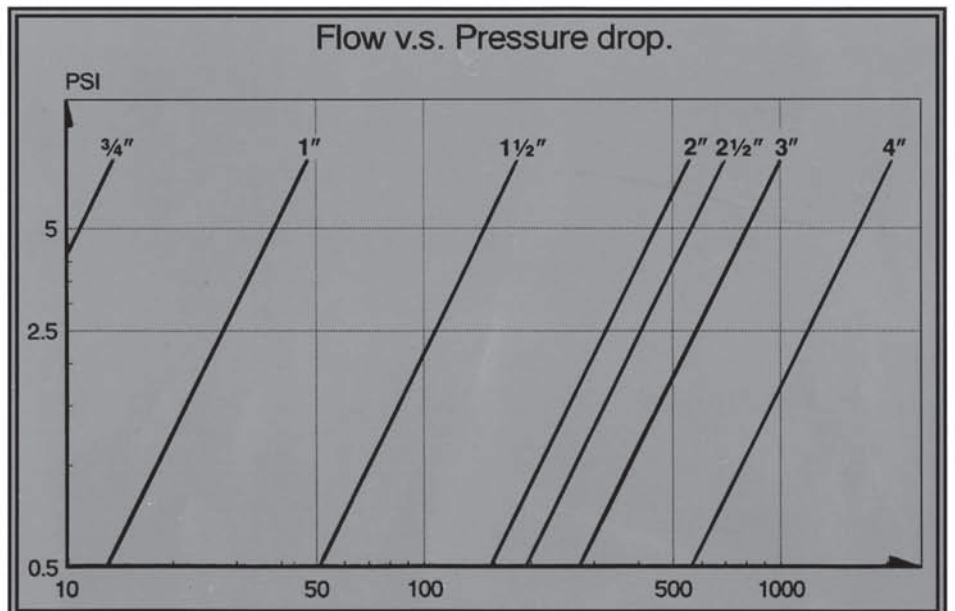
Diverter-valve with 90° linkage and actuator.



Block & Bleed-valve fully automated with limit switches built in to the actuator.



Wafer style with flange ready for welding onto pipe.

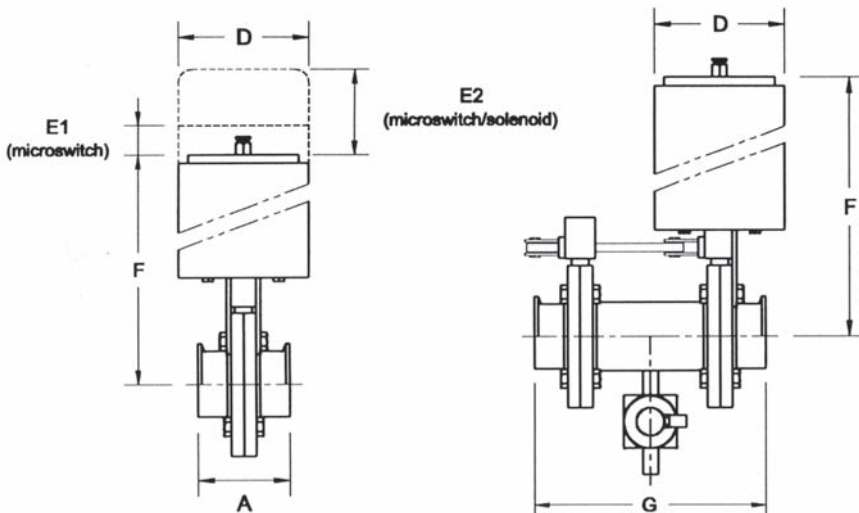


Technical Data

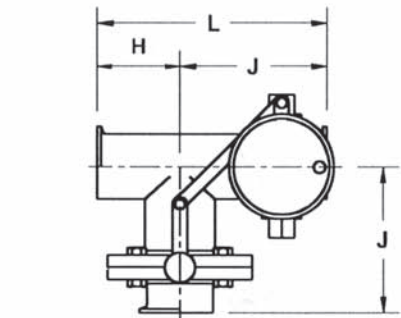
Min. Air-pressure Air-Air	60 psi	Max. Product Pressure	150 psi.
Max. Air-pressure Air-Air	90 psi	Max. Product Temp	265° F
Min. Air-pressure Air-Spring	75 psi	Min. Product Temp	-4° F
Max. Air-pressure Air-Spring	105 psi	Limitswitch Max.	5A/250V
Air consumption 1-4 inch.	30 cub inch.		
Air consumption 6 inch.	41 cub inch.		

Size (in)	0.75"	1.0"	1.5"	2.0"	2.5"	3.0"	4.0"	6.0"	8.0"
Manual Valve									
A	2.5	2.5	2.8	2.8	3.0	3.9	4.1	4.5	4.6
C	5.5	5.5	5.5	5.5	5.5	6.3	6.3	8.7	11.6
B	2.9	2.9	3.1	3.4	3.8	4.1	4.4	6.5	9.8
Weight (lbs)	2.9	2.9	3.6	4.3	4.8	8.0	9.9	23.0	35.0
Actuated Valve									
D	3.5	3.5	3.5	3.5	4.1	4.1	4.1	5.2	POA
E1	1.4	1.4	1.4	1.4	1.4	1.4	1.4	1.4	POA
E2	4.3	4.3	4.3	4.3	4.3	4.3	4.3	4.3	POA
F	8.9	8.9	9.1	9.3	10.2	10.5	10.9	13.8	POA
Weight (lbs)	12.0	12.0	13.0	13.0	14.0	17.0	19.0	41.0	POA
Block & Bleed Valve									
G	5.7	5.7	5.7	5.7	6.0	8.0	8.2	9.0	POA
Weight (lbs)	14.0	14.0	15.0	17.0	18.0	25.0	28.0	63.0	POA
Divert Valve									
H	2.4	2.4	2.8	3.5	3.5	3.8	4.5	POA	POA
J	3.9	3.9	4.5	4.9	5.3	6.5	7.5	POA	POA
K	7.8	7.8	9.0	9.8	10.7	13.1	15.1	POA	POA
L	6.3	6.3	7.2	8.4	8.8	10.3	12.0	POA	POA
Wafer Valve									
M	--	3.5	3.9	3.9	3.9	5.4	5.4	6.6	POA

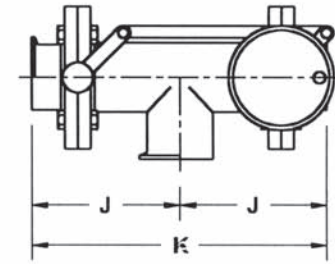
10.0" Valve also available upon request



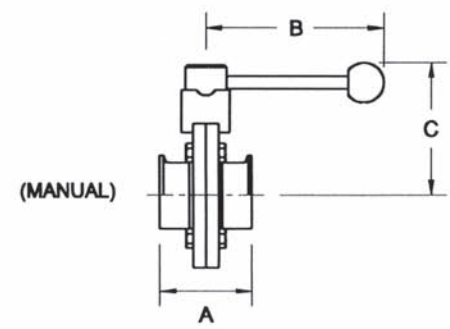
Technical changes without notice.



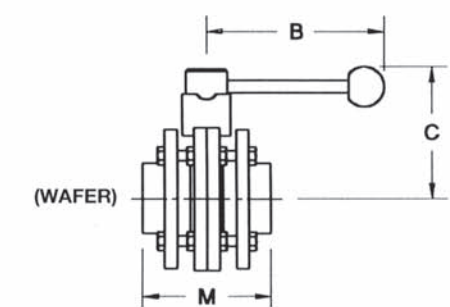
(90° DIVERT)



(180° DIVERT)



(MANUAL)



(WAFER)

Distributor:



Patents Pending
 Technical changes without notice
 UNIBLOC® is a Registered Trademark

FLOWTECH DIV.

UNIBLOC®-PUMP, INC. USA

1701 SPINKS DRIVE ° MARIETTA, GA 30067-8925
 PHONE: (770) 218-8900 ° FAX: (770) 218-8442
 www.flowtechdiv.com ° email: info@flowtechdiv.com