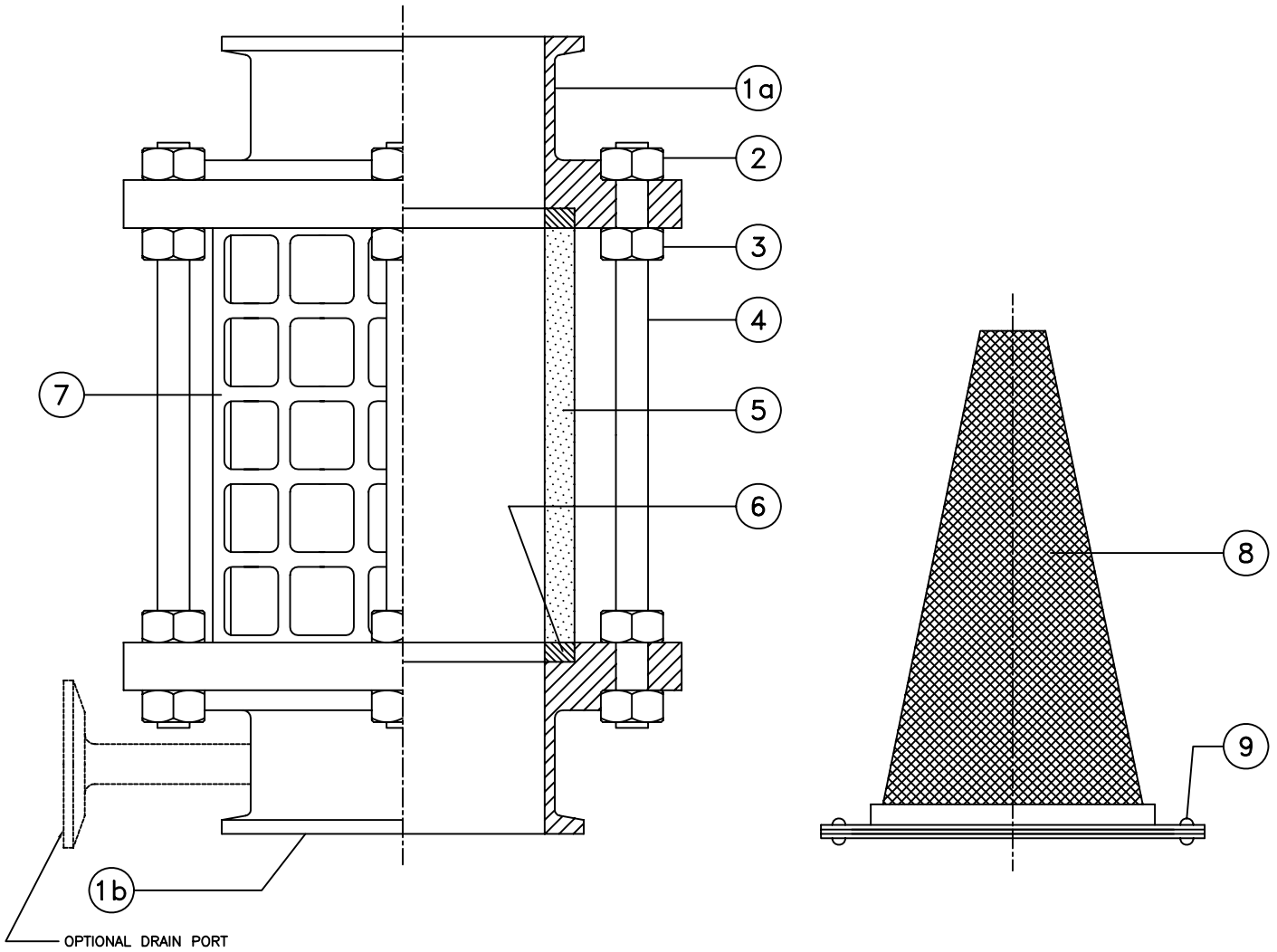


REVISIONS			
SYMBOL	DESCRIPTION	DATE	BY



CONN. SIZE	ITEM	FERRULE	FERRULE	NUT (with Insert)	NUT	STUD	GLASS	GASKET	SCREEN	CONE STRAINER	SPLIT GASKET	CLAMP
		1a	1b	2	3	4	5	6	7	8	9	10
1/2"	P.N.	530001	N.A.	4404-2	4403-2	530020	530059	530040	530025	N.A.	N.A.	N.A.
	PCS.	1	-	3	3	3	1	2	1	-	-	-
3/4"	P.N.	530002	N.A.	4404-2	4403-2	530020	530058	530041	530026	N.A.	N.A.	N.A.
	PCS.	1	-	3	3	3	1	2	1	-	-	-
1"	P.N.	530003	530010	4414-2	4413-2	530021	530057	530042	530027	N.A.	N.A.	N.A.
	PCS.	1	1	4	4	4	1	2	1	-	-	-
1.5"	P.N.	530004	530011	4414-2	4413-2	530021	530056	530043	530028	N.A.	N.A.	N.A.
	PCS.	1	1	4	4	4	1	2	1	-	-	-
2"	P.N.	530005	530012	4414-2	4413-2	530021	530055	530044	530029	N.A.	N.A.	N.A.
	PCS.	1	1	4	4	4	1	2	1	-	-	-
2.5"	P.N.	530006	530013	4414-2	4413-2	530022	530054	530045	530030	N.A.	N.A.	N.A.
	PCS.	1	1	4	4	4	1	2	1	-	-	-
3"	P.N.	530007	530014	4414-2	4413-2	530022	530053	530046	530031	530037	6324	6318
	PCS.	1	1	6	6	6	1	2	1	1	1	1
4"	P.N.	530008	530015	4414-2	4413-2	530022	530052	530047	530032	530038	6323	6317
	PCS.	1	1	6	6	6	1	2	1	1	1	1
6"	P.N.	530009	530016	4424-2	4423-2	530023	530051	530048	530033	530039	6322	6316
	PCS.	1	1	6	6	6	1	2	1	1	1	1
8"	P.N.	P.O.A.										
	PCS.	P.O.A.										

- SEAL MATERIALS ARE SPECIFIED AS FOLLOWS:
 #-E (EPDM) #-V (VITON)
 #-S (SILICONE) #-T (TEFLON ENCAPSULATED VITON)
- CONE STRAINER MESH SIZE SPECIFIED AS FOLLOWS:
 #-10M (10 MESH) #-30M (30 MESH)
 #-50M (50 MESH) #-100M (100 MESH)
- ITEM 10 (CLAMP FOR CONE STRAINER) NOT SHOWN.

THIS DRAWING AND ALL IDEAS INCORPORATED IN ITS DESIGN IS THE EXCLUSIVE PROPERTY OF FLOWTECH, Inc. ITS ACCEPTANCE CONSTITUTES AN AGREEMENT THAT IT SHALL BE TREATED AS A CONFIDENTIAL DOCUMENT USED FOR NO OTHER PURPOSE THAN TO AID IN ITS CONSTRUCTION, THAT IT IS TO BE RETURNED UPON REQUEST, AND THAT IT IS NOT TO BE DISCLOSED OR COPIED EXCEPT AS AUTHORIZED IN WRITING BY FLOWTECH, Inc.



MATERIAL	BY	DATE	DWG. TITLE
FINISH (UNLESS NOTED ON DWG.)	DRAWN	JPZ	
WEIGHT	CHECKED		SIZE
	APP'D		DWG. NO.
	SCALE	NO SCALE	530980
	ALL DIMENSIONS IN MM		RELEASE DATE OCT. 24, 1997
			SHEET 1 OF 1