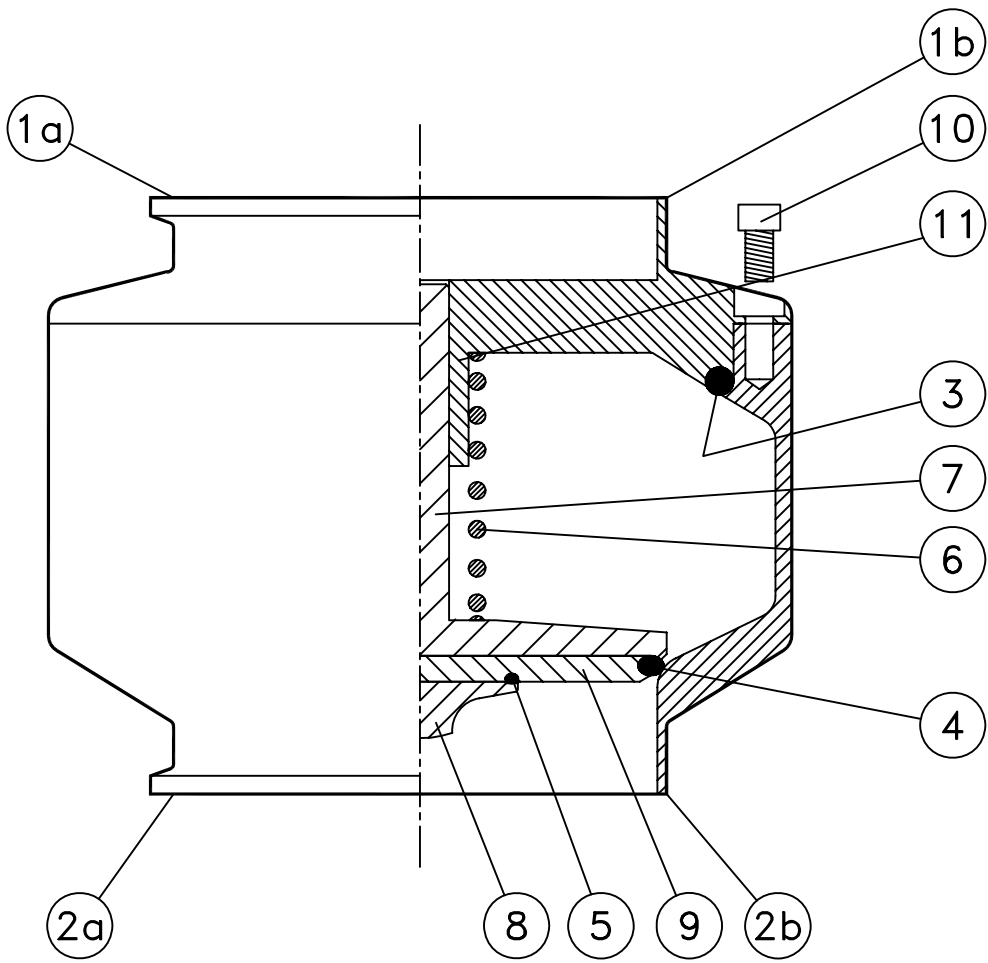


REVISIONS			
SYMBOL	DESCRIPTION	DATE	BY



ITEM	CLAMP FLANGE 1a	WELD FLANGE 1b	CLAMP BODY 2a	WELD BODY 2b	O-RING 3	O-RING 4	O-RING 5	SPRING 6	STEM 7	CAP 8	DISC 9	BOLT 10	GUIDE 11
0.5"	340019-1L	340039-1L	340029-1L	340049-1L	4204-E	4272-E	not used	340001	340010A	not used	not used	not used	340010B
Pcs.	1	1	1	1	1	1	0	1	1	0	0	0	1
0.75"	340020-1L	340040-1L	340030-1L	340050-1L	4204-E	4272-E	not used	340001	340010A	not used	not used	not used	340010B
Pcs.	1	1	1	1	1	1	0	1	1	0	0	0	1
1"	340021-1L	340041-1L	340031-1L	340051-1L	4217-E	4252-E	not used	340002	340011	340061	not used	4340-2	not used
Pcs.	1	1	1	1	1	1	0	1	1	1	0	3	0
1.5"	340022-1L	340042-1L	340032-1L	340052-1L	4236-E	4254-E	not used	340003	340012	340062	not used	4340-2	not used
Pcs.	1	1	1	1	1	1	0	1	1	1	0	3	0
2"	340023	340043	340033	340053	4256-E	4218-E	not used	340004	340013	340063	not used	4312-2	not used
Pcs.	1	1	1	1	1	1	0	1	1	1	0	3	0
2.5"	340024	340044	340034	340054	4258-E	4257-E	not used	340005	340014	340064	not used	4340-2	not used
Pcs.	1	1	1	1	1	1	0	1	1	1	0	3	0
3"	340025	340045	340035	340055	4260-E	4259-E	not used	340006	340015	340065	not used	4341-2	not used
Pcs.	1	1	1	1	1	1	0	1	1	1	0	4 (M5)	0
3.5"	340069	340070	340071	340072	4153-E	4259-E	not used	340006	340015	340065	not used	4343-2	not used
Pcs.	1	1	1	1	1	1	0	1	1	1	0	4 (M8)	0
4"	340026	340046	340036	340056	4261-E	4262-E	not used	340007	340016	340066	not used	4352-2	not used
Pcs.	1	1	1	1	1	1	0	1	1	1	0	6	0
6"	340027	340047	340037	340057	4288-E	4289-E	4290-E	340008	340017	340067	340068	4349-2	not used
Pcs.	1	1	1	1	1	1	1	1	1	1	1	6	0

- O-RING MATERIALS ARE SPECIFIED IN THE FOLLOWING MANNER:  
 #####-E (EPDM)    #####-V (VITON)  
 #####-T (TEFLON ENCAPSULATED VITON)
- STANDARD SPRINGS ARE LISTED IN TABLE ABOVE. SPRINGS WITH DIFFERENT OPENING PRESSURES ARE AVAILABLE.
- SS MATERIAL IS SPECIFIED IN THE FOLLOWING MANNER:  
 #####-1L    316Lss  
 #####-2    304ss

THIS DRAWING AND ALL IDEAS INCORPORATED IN ITS DESIGN IS THE EXCLUSIVE PROPERTY OF FLOWTECH, Inc. ITS ACCEPTANCE CONSTITUTES AN AGREEMENT THAT IT SHALL BE TREATED AS A CONFIDENTIAL DOCUMENT USED FOR NO OTHER PURPOSE THAN TO AID IN ITS CONSTRUCTION, THAT IT IS TO BE RETURNED UPON REQUEST, AND THAT IT IS NOT TO BE DISCLOSED OR COPIED EXCEPT AS AUTHORIZED IN WRITING BY FLOWTECH, Inc.

**FLOWTECH** DIV.  
 TEKNOFLOW, INC. ATLANTA, GEORGIA-USA

MATERIAL	BY	DATE	DWG. TITLE <b>#34 CHECK VALVE COMPONENTS</b>
FINISH (UNLESS NOTED ON DWG.)	DRAWN	CHECKED	
WEIGHT	APP'D	SCALE	SIZE
	SCALE	NO SCALE	DWG. NO. <b>340998</b>
ALL DIMENSIONS IN MM			RELEASE DATE AUG. 26, 2009 SHEET 1 OF 1